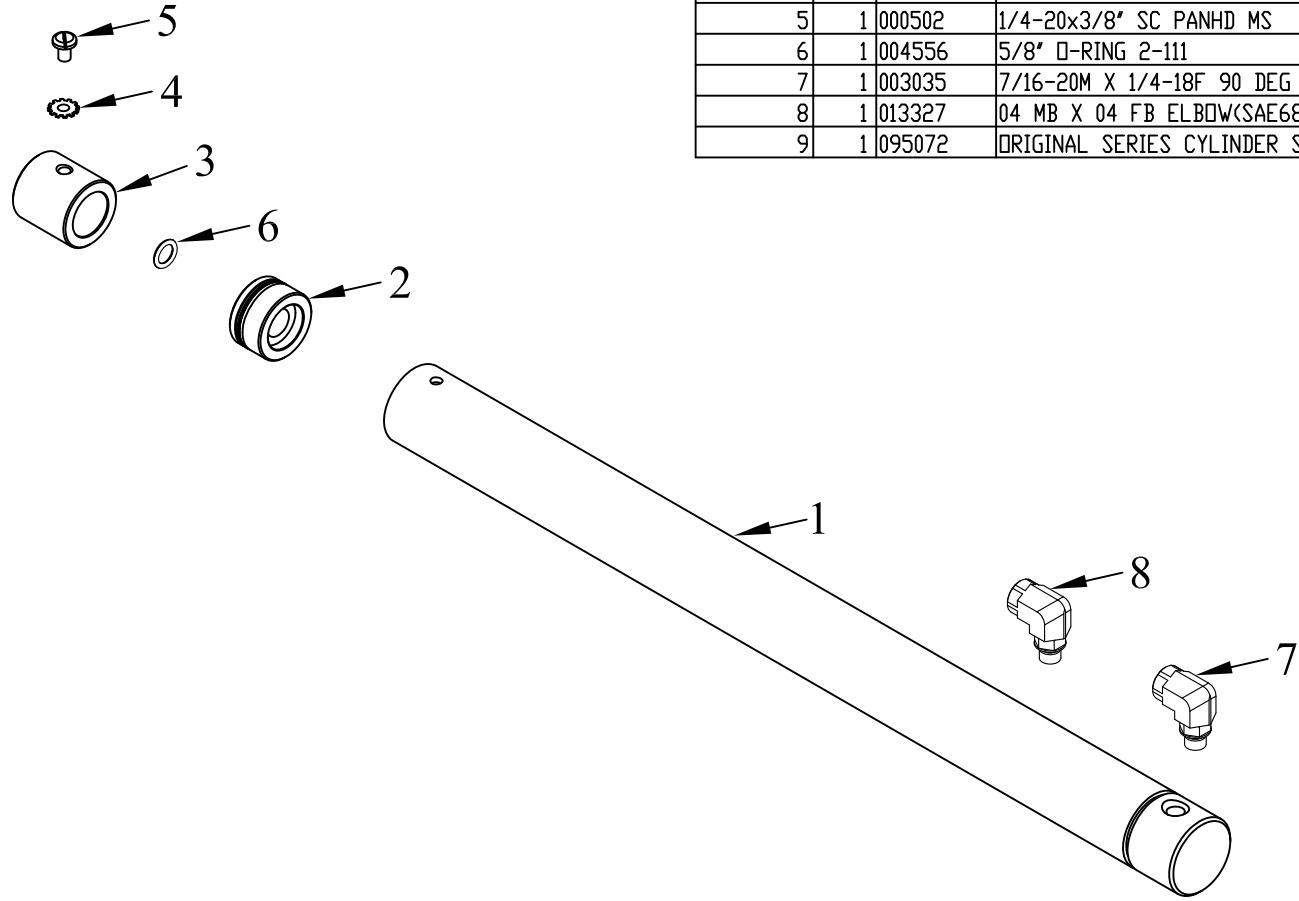


ITEM NO.	QTY.	PART NO.	DESCRIPTION
1	1	003261	1.5" DIA X 22.5" CYL TUBE w/WELD-DN(1040)
2	1	007447	1-1/2" CYL. PIST w/O-RINGS(1034-1040)
3	1	007450	1"x1.50"x1.50"ALUM GUIDE BUSHING#1
4	1	000570	1/4" EXTERNAL STAR WASHER
5	1	000502	1/4-20x3/8" SC PANHD MS
6	1	004556	5/8" O-RING 2-111
7	1	003035	7/16-20M X 1/4-18F 90 DEG STEEL ELBOW
8	1	013327	04 MB X 04 FB ELBOW(SAE6815-04-04)
9	1	095072	ORIGINAL SERIES CYLINDER SEAL REPLACEMENT INSTR.



REV.	DATE	CHANGE RECORD	BY	APPVD	ECN	THIRD ANGLE PROJECTION			FILENAME:		WOODBINE MFG. CO. BUS BROWN DRIVE WOODBINE, IOWA 51579 712-647-2050		
						DECIMAL	2PLC	3PLC	SYMBOLY PER ANSI Y14.5	NOTES:			
C	11/13/13	ADDED (1) 013327	GDB		1004	MACHINE SAW, DRILL	.030	.015	DRAWN BY. DJR		<small>THE INFORMATION HERE IS CONFIDENTIAL AND MUST NOT BE USED IN ANYWAY DETRIMENTAL TO THE INTEREST OF WOODBINE MFG.</small> 		
B	1/12/11	ADDED (1) 3035, (1) 4556, AND (1) 95072; REPLACED 1139 WITH INDIVIDUAL PARTS	JCB		400	SHEAR, PUNCH FORM	.060	.030	DRAWN/DATE 12/16/03				
						TORCH, WELDING ROUGH CAST	.090	.060	APPVD/DATE	TITLE			
									SALES CATEGORY	PRODUCT LINE		SCALE	FIN. WT.
						DRAFT 2°		ANGULAR ±1°			N		3251