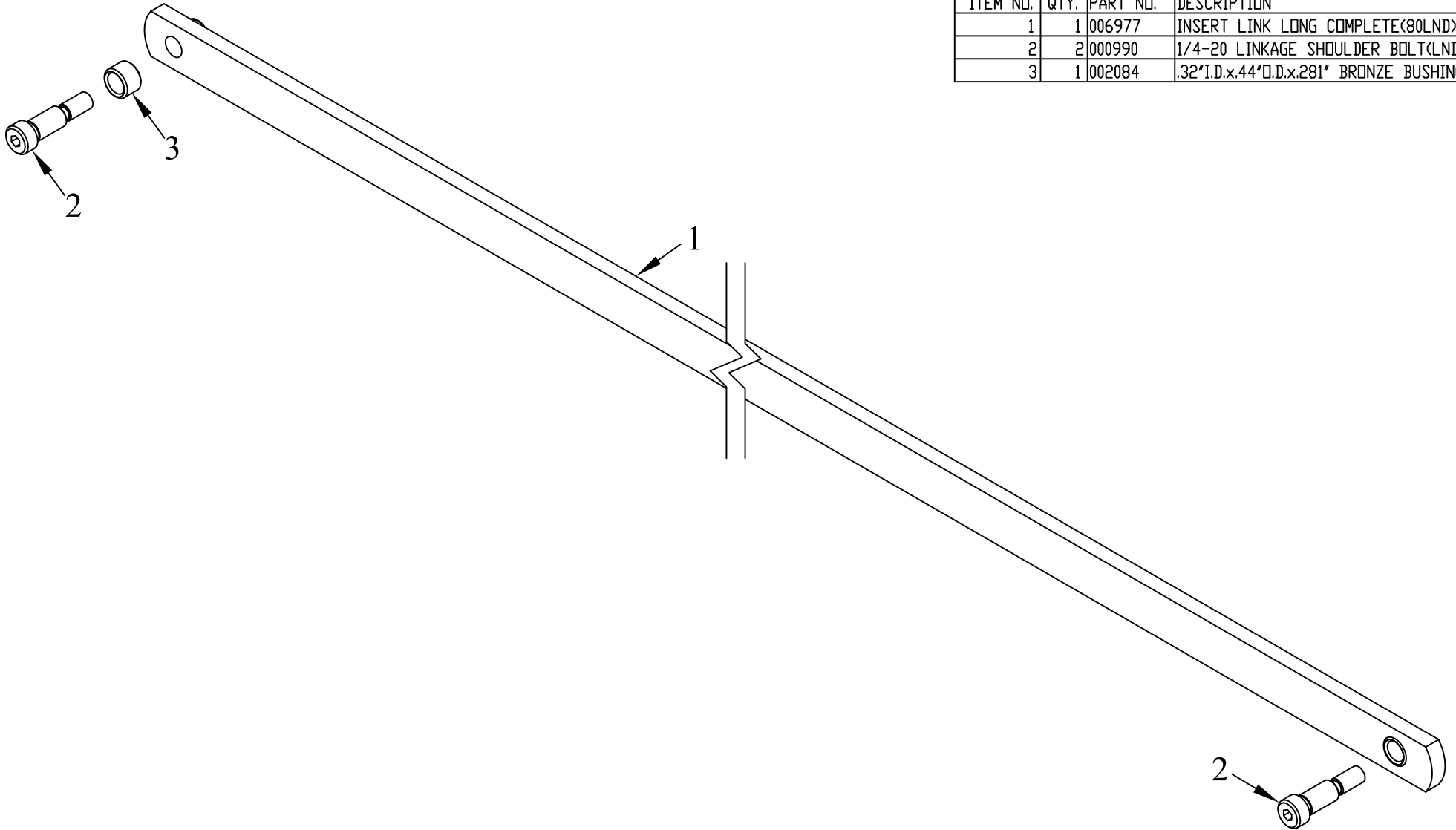




ITEM NO.	QTY.	PART NO.	DESCRIPTION
1	1	006977	INSERT LINK LONG COMPLETE(80LND)
2	2	000990	1/4-20 LINKAGE SHOULDER BOLT(LND)
3	1	002084	.32*I.D.x.44*O.D.x.281' BRONZE BUSHING



										THIRD ANGLE PROJECTION 	FILENAME:		WOODBINE MFG. CO. BUS BROWN DRIVE WOODBINE, IOWA 51579	
										DECIMAL MACHINE SAW, DRILL	SYMBOLY PER ANSI Y14.5	NOTES:	712-647-2050	
									2PLC .030	3PLC .015	DRAWN BY. DJR			
									SHEAR, PUNCH FORM .060	.030	DRAWN/DATE 11/29/05			
									TORCH, WELDING ROUGH CAST .090	.060	APPVD/DATE		TITLE REPLACEMENT LONG INSERT LINK ASSEMBLY(80LND)	
REV.	DATE	CHANGE RECORD			BY	APPVD	ECN	DRAFT 2'	ANGULAR ±1'	SALES CATEGORY 45	PRODUCT LINE 8950	SCALE N	FIN. WT.	PART NO. 9517