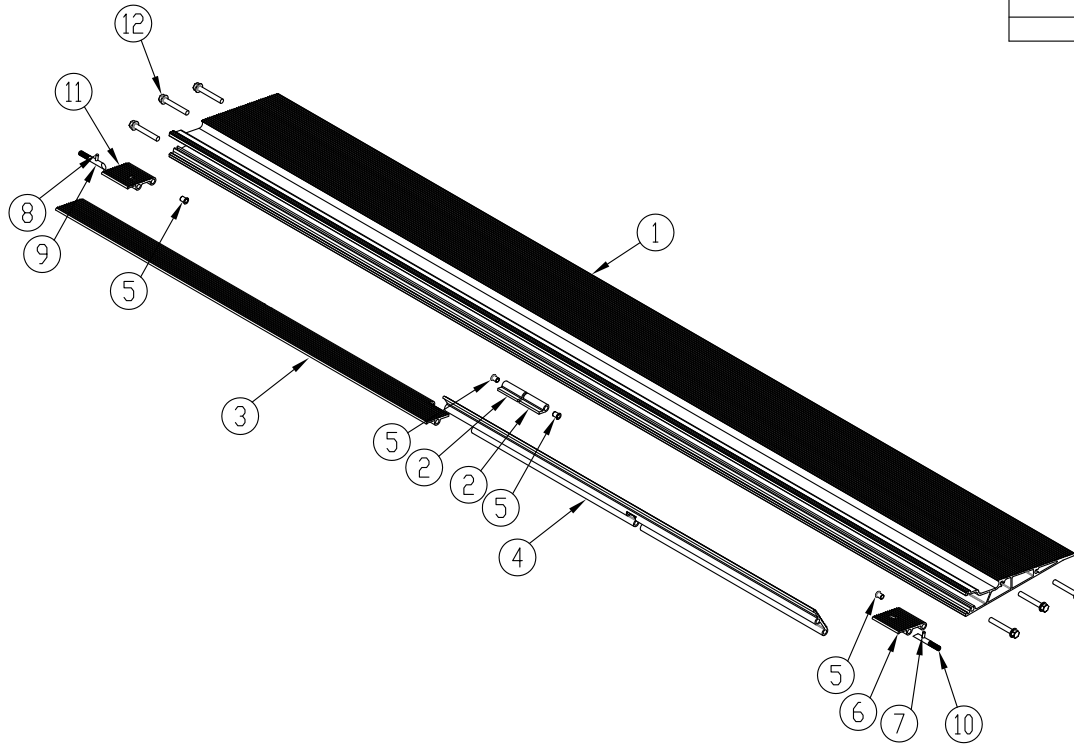


ITEM NO.	QTY.	PART NO.	DESCRIPTION
1	1	011216	SECTION#565868-88'(12"AL.TAPER W/CS 1PC)(89)
2	2	013418	DIE#5459-2-3/16" CART STOP HALF BUSHING-RAIL
3	1	014459	CART STOP FLIPPER ASSEMBLY (89) RIGHT
4	1	014454	CART STOP FLIPPER ASSEMBLY (89) LEFT
5	4	014465	3/8" x 5/16" x 1/2" PLASTIC FLANGE BUSHING
6	1	010501	(FLIPPER PIVOT ANCHOR)CANTILEVER/RAIL(L)25/30
7	2	014466	3/16"DIA.x1" ROLL PIN PLATED(RAIL)
8	2	011228	3/8" NAIL EASY DRIVE #4
9	2	010360	.375"DIA.x1.75" CART STOP PIN(CANTILEVER/RAIL25/30)
10	2	010361	2" COMPRESSION SPRING(.36"OD) CARTSTOP
11	1	010353	SECTION#565362-2.85" (FLIPPER PIVOT ANCHOR)
12	6	012641	3/8-16x2-1/2" HEX TAP-FLEX BOLT
13	1	095102	REPLACEMENT 12" BOLT-ON TAPER INSTRUCTIONS - RAILGATE



REV.	DATE	CHANGE RECORD	BY	APPVD	ECN	THIRD ANGLE PROJECTION	FILENAME:	SYMBOLY PER ANSI Y14.5	NOTES:	WOODBINE MFG. CO. BUS BROWN DRIVE WOODBINE, IOWA 51579		
D	1/16/17	ADDED 95102	JCB		1778					THE INFORMATION HERE IS CONFIDENTIAL AND MUST NOT BE USED IN ANYWAY DETRIMENTAL TO THE INTEREST OF WOODBINE MFG.		
C	10/19/15	ADDED (2) 014465	GDB		1500		MACHINE SAW, DRILL DECIMAL 2PLC 3PLC .030 .015	DRAWN BY GDB				
B	8/7/15	REMOVED 13417, 13416, 11226, 10373, 10646, 10586, AND 10374; ADDED 14454, 14459, 14465, AND 14466	GDB		1331		SHEAR, PUNCH FORM .060 .030	DRAWN/DATE 2/20/14				
A	2/20/14	RELEASED TO PRODUCTION	GDB		1044		TORCH, WELDING ROUGH CAST .090 .060	APPVD/DATE				
							DRAFT 2'	ANGULAR ±1'			SALES CATEGORY	PRODUCT LINE
									TITLE (89) 12" REP EA BOLT ON TAPER W/CS (TX)			