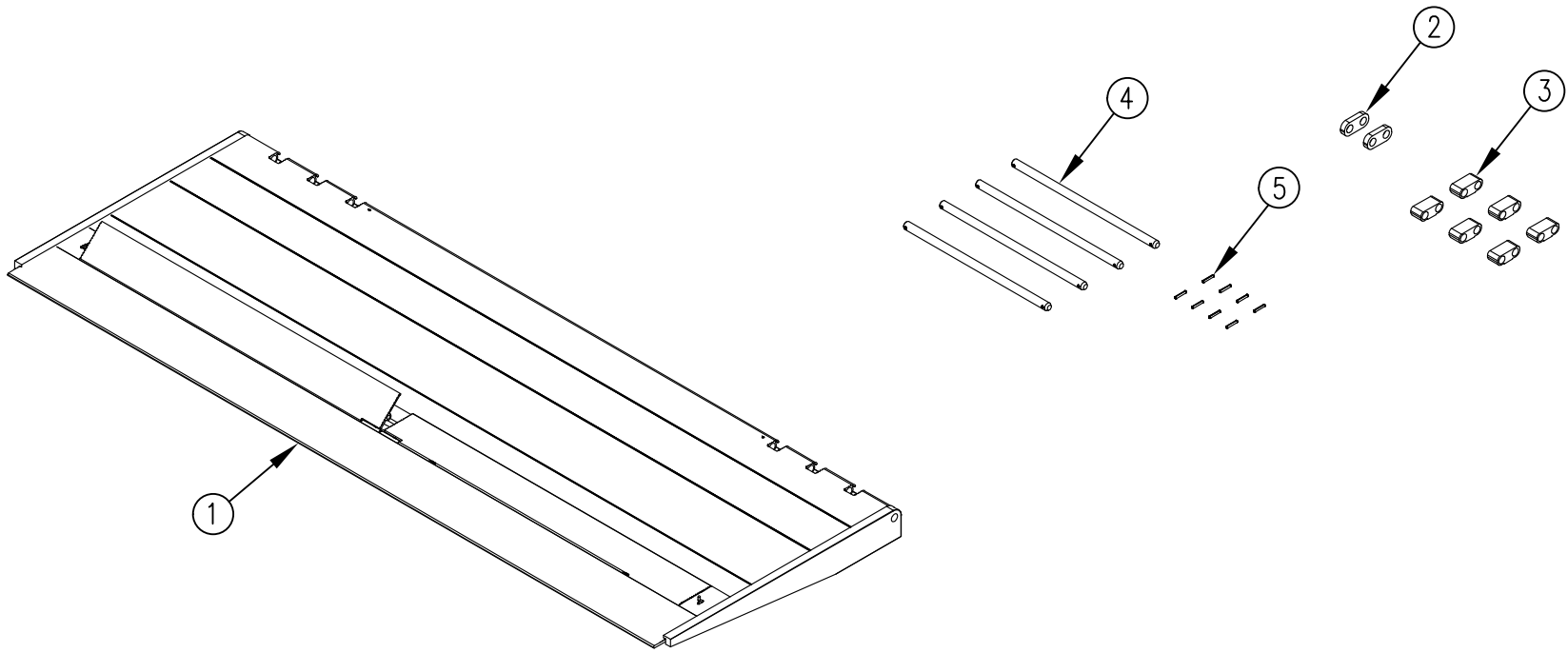



ITEM NO.	QTY.	PART NO.	DESCRIPTION
1	1	012819	25" EA FLIPPER W/ CS (TUCKUNDER)
2	2	013060	ZINC PLATED EA OUTSIDE PLATFORM PIVOT HINGE
3	6	011642	1.06"x1.25"x2.75" EA PLATFORM PIVOT HINGE (TUCKUNDER)
4	4	011644	0.75"DIAx17.75" EA HINGE PIN (TUCKUNDER)
5	8	011650	ZINC PLATED SLOTTED SPRING PIN McMASTER CARR #90692A301
6	1	095203	TKT EA PLATFORM FLIPPER REPLACEMENT INSTRUCTIONS



REV.	DATE	CHANGE RECORD	BY	APPVD	ECN	THIRD ANGLE PROJECTION	FILENAME:	SYMBOLY PER ANSI Y14.5	NOTES:	WOODBINE MFG. CO. BUS BROWN DRIVE WOODBINE, IOWA 51579		
C	4/5/16	95203 WAS 95168	GDB		1600	MACHINE SAW, DRILL		DRAWN BY: JCB		 THE INFORMATION HERE IS CONFIDENTIAL AND MUST NOT BE USED IN ANYWAY DETRIMENTAL TO THE INTEREST OF WOODBINE MFG.		
B	3/20/15	ADDED 095168	GDB		1348	SHEAR, PUNCH FORM		DRAWN/DATE 7/29/14				
A	7/29/14	RELEASED TO PRODUCTION	JCB		1075	TORCH, WELDING ROUGH CAST		APPVD/DATE	TITLE REPL. 25" AL. FOLDING EXT. (TUCKUNDER) CS			
						DRAFT 2"	ANGULAR ±1"	SALES CATEGORY	PRODUCT LINE		SCALE 1:16	FIN. WT.