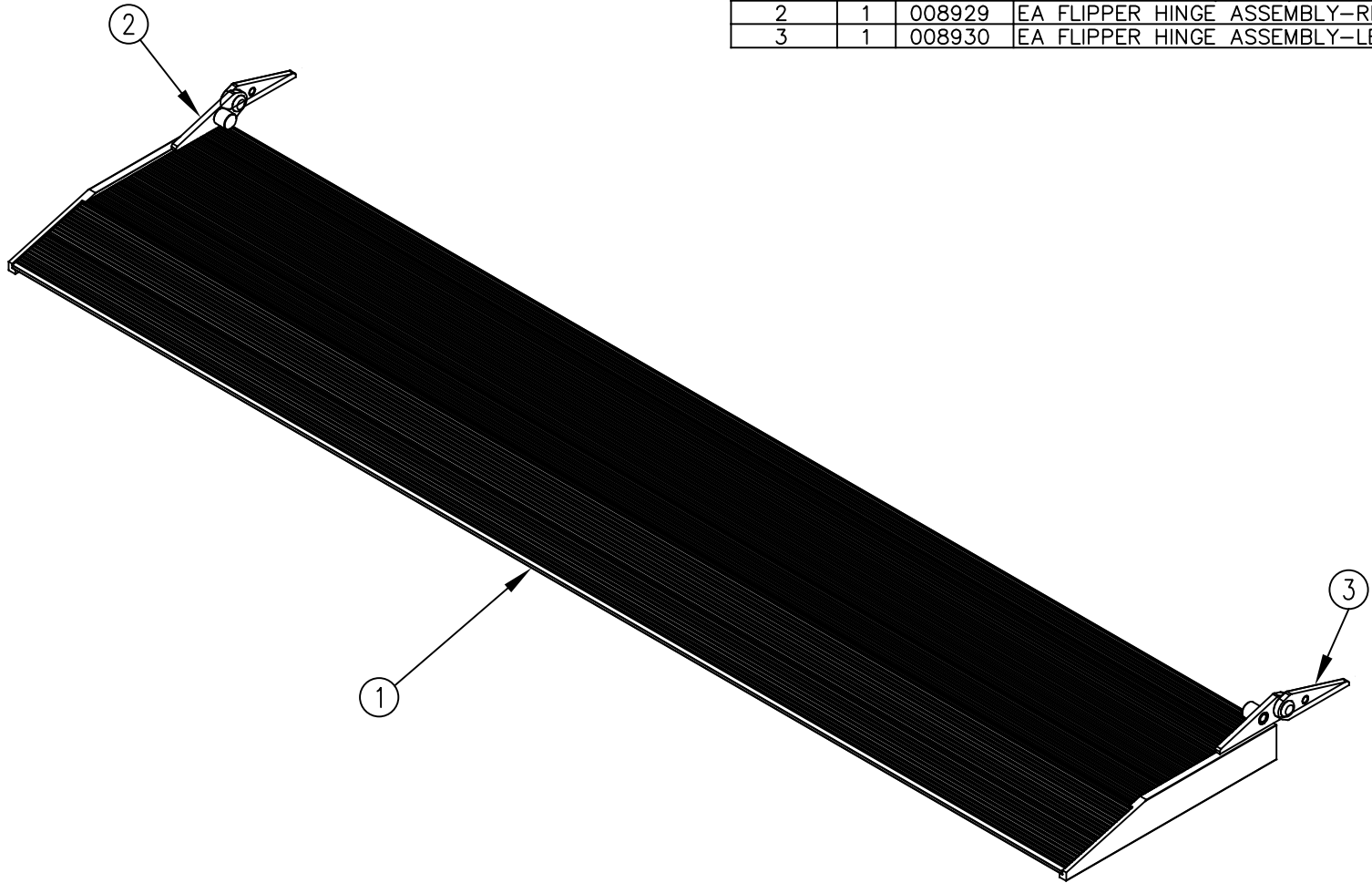


ITEM NO.	QTY.	PART NO.	DESCRIPTION
1	1	003300	EA FLIPPER ONLY(91-40)17"
2	1	008929	EA FLIPPER HINGE ASSEMBLY-RIGHT
3	1	008930	EA FLIPPER HINGE ASSEMBLY-LEFT



						THIRD ANGLE PROJECTION	DRAWN BY HHW	NOTES:	WOODBINE MFG. CO. BUS BROWN DRIVE WOODBINE, IOWA 51579	
							DRAWN/DATE 6/3/24			
						UNLESS OTHERWISE SPECIFIED DIMENSIONS ARE IN INCHES TOLERANCES: FRACTIONAL ±1/16 ANGULAR MACH ±1° BEND ±1° TWO PLACE DECIMAL ±0.030 THREE PLACE DECIMAL ±0.010	APPVD/DATE -			
							DO NOT SCALE DRAWING	TITLE 92-F11 REPLACEMENT EA FLIPPER	 THE ORIGINAL TOMMY GATE EST. 1964	
A	6/3/24	RELEASED TO PRODUCTION	HHW	3007						
REV.	DATE	CHANGE RECORD	BY	APPVD	ECN	THE INFORMATION HERE IS CONFIDENTIAL AND MUST NOT BE USED IN ANY WAY DETRIMENTAL TO THE INTEREST OF WOODBINE MFG.		SCALE 1:10	WEIGHT -	PART NO. 18220