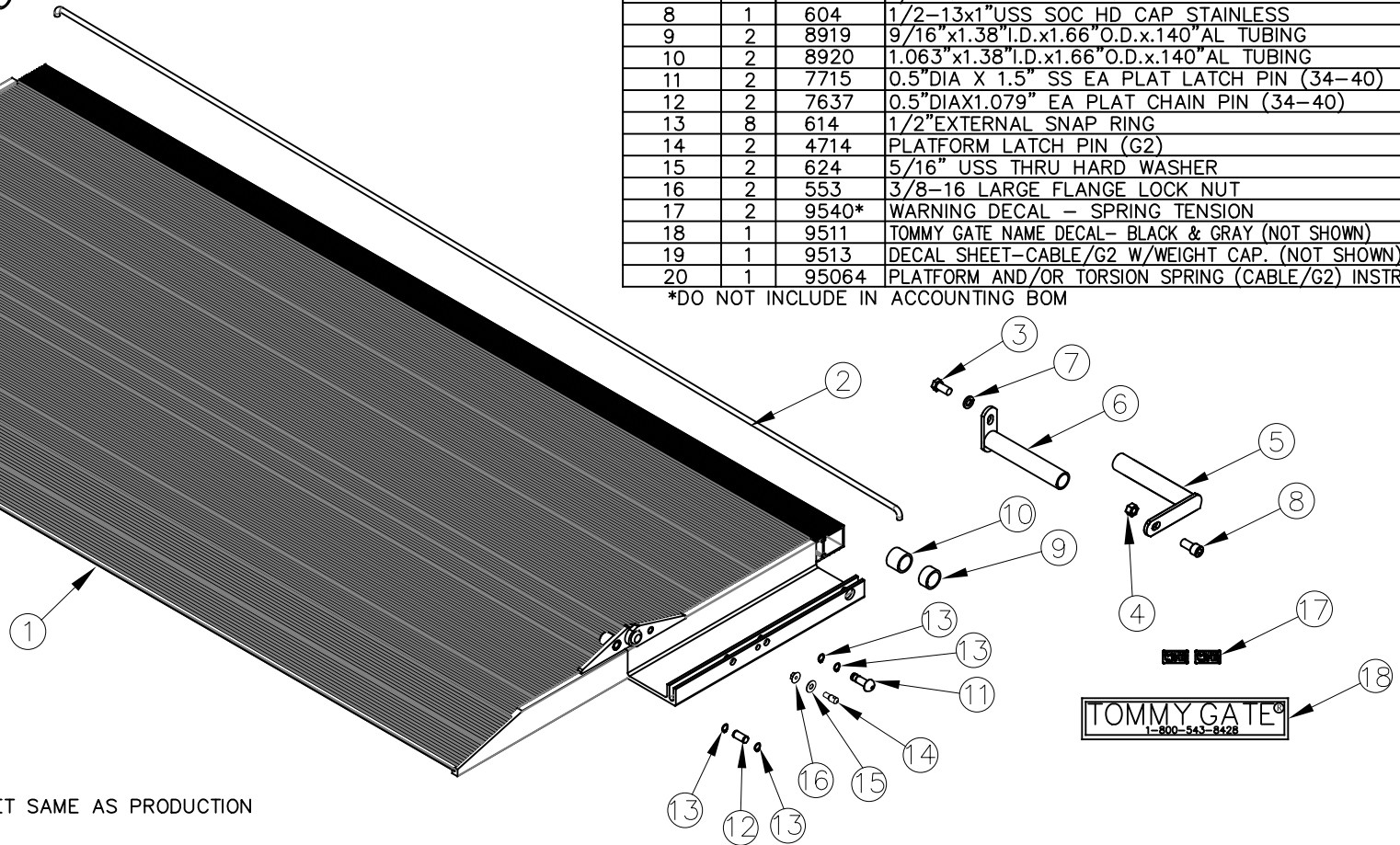


ITEM NO.	QTY.	PART NO.	DESCRIPTION
1	1	3301	EA PLATFORM COMPLETE(72P)38+6"
2	1	7871	.375"x70.563" TORSION SPRING(EA72)
3	1	587	1/2-13x1" HHCS GR5
4	1	588	1/2-13 CROWN LOCK NUT
5	1	7709	HINGE TUBE SPRING HOLDER-40EA PASSENGER
6	1	7778	HINGE TUBE SPRING HOLDER-EA DRIVER
7	1	573	1/2" SPRING LOCKWASHER
8	1	604	1/2-13x1"USS SOC HD CAP STAINLESS
9	2	8919	9/16"x1.38" I.D.x1.66" O.D.x.140"AL TUBING
10	2	8920	1.063"x1.38" I.D.x1.66" O.D.x.140"AL TUBING
11	2	7715	0.5"DIA X 1.5" SS EA PLAT LATCH PIN (34-40)
12	2	7637	0.5"DIAx1.079" EA PLAT CHAIN PIN (34-40)
13	8	614	1/2"EXTERNAL SNAP RING
14	2	4714	PLATFORM LATCH PIN (G2)
15	2	624	5/16" USS THRU HARD WASHER
16	2	553	3/8-16 LARGE FLANGE LOCK NUT
17	2	9540*	WARNING DECAL - SPRING TENSION
18	1	9511	TOMMY GATE NAME DECAL- BLACK & GRAY (NOT SHOWN)
19	1	9513	DECAL SHEET-CABLE/G2 W/WEIGHT CAP. (NOT SHOWN)
20	1	95064	PLATFORM AND/OR TORSION SPRING (CABLE/G2) INSTR.

*DO NOT INCLUDE IN ACCOUNTING BOM



NOTES: APPLY DECALS FROM 9513 SHEET SAME AS PRODUCTION
SEND (2) 9540 LOOSE

				THIRD ANGLE PROJECTION			FILENAME:		WOODBINE MFG. CO. BUS BROWN DRIVE WOODBINE, IOWA 51579							
							SYMBOLY PER ANSI Y14.5		NOTES:							
				DECIMAL	2PLC	3PLC	DRAWN BY.		<p>THE INFORMATION HERE IS CONFIDENTIAL AND MUST NOT BE USED IN ANYWAY DETRIMENTAL TO THE INTEREST OF WOODBINE MFG.</p>							
				MACHINE SAW, DRILL	.030	.015	AAS									
				SHEAR, PUNCH FORM	.060	.030	9/6/24									
				TORCH, WELDING ROUGH CAST	.090	.060	APPVD/DATE		TITLE							
A	9/6/24	DRAWN IN AUTOCAD		AAS		3051			73 G2 LP 38"EA REPLACEMENT PLATFORM							
REV.	DATE	CHANGE RECORD		BY	APPVD	ECN	DRAFT 2'	ANGULAR ±1'	SALES CATEGORY	PRODUCT LINE	SCALE N	FIN. WT.	PART NO. 18325			