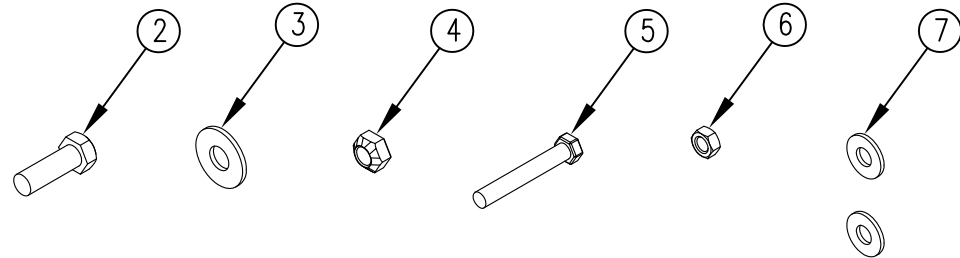
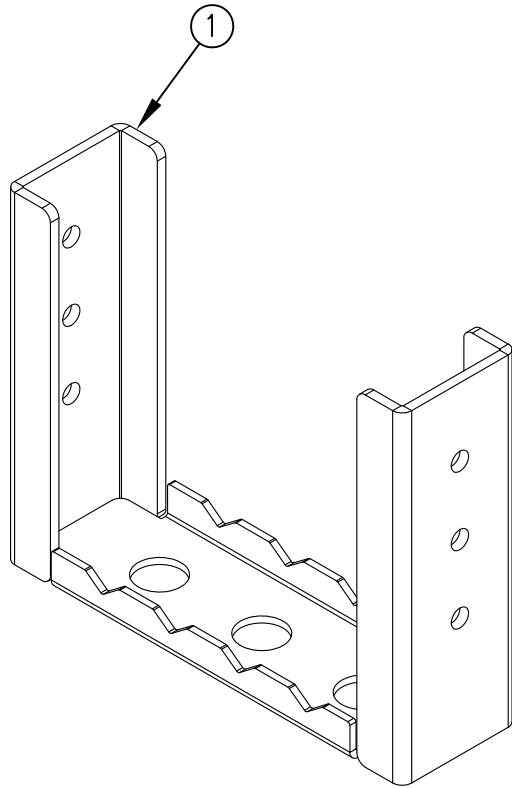
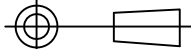


ITEM NO.	QTY.	PART NO.	DESCRIPTION
1	1	012847	BOTTOM STEP WELDMENT
2	1	000522	1/2-13x2" HHCS GR5
3	1	000576	1/2" USS FLAT WASHER
4	1	000588	1/2-13 CROWN LOCK NUT
5	1	000517	3/8-16x2-1/2"HHCS GR5
6	1	000605	3/8-16 USS LOCK NUT
7	2	000575	3/8 USS FLAT WASHER



REV.	DATE	CHANGE RECORD	BY	APPVD	ECN	DRAFT	ANGULAR	SALES CATEGORY	PRODUCT LINE	SCALE	FIN. WT.	PART NO.
B	7/21/17	522 WAS 608	AAS		1910	2"	±1°			1:4		12948
A	3/13/14	RELEASED TO PRODUCTION	JCB		1075							

THIRD ANGLE PROJECTION



DECIMAL 2PLC 3PLC

MACHINE SAW, DRILL .030 .015

SHEAR, PUNCH FORM .060 .030

TORCH, WELDING ROUGH CAST .090 .060

FILENAME:

SYMBOLGY PER ANSI Y14.5

DRAWN BY. JCB

DRAWN/DATE 3/13/14

APPVD/DATE

TITLE

NOTES:

WOODBINE MFG. CO.  
BUS BROWN DRIVE  
WOODBINE, IOWA 51579



THE INFORMATION HERE IS CONFIDENTIAL AND MUST NOT BE USED IN ANYWAY DETRIMENTAL TO THE INTEREST OF WOODBINE MFG.