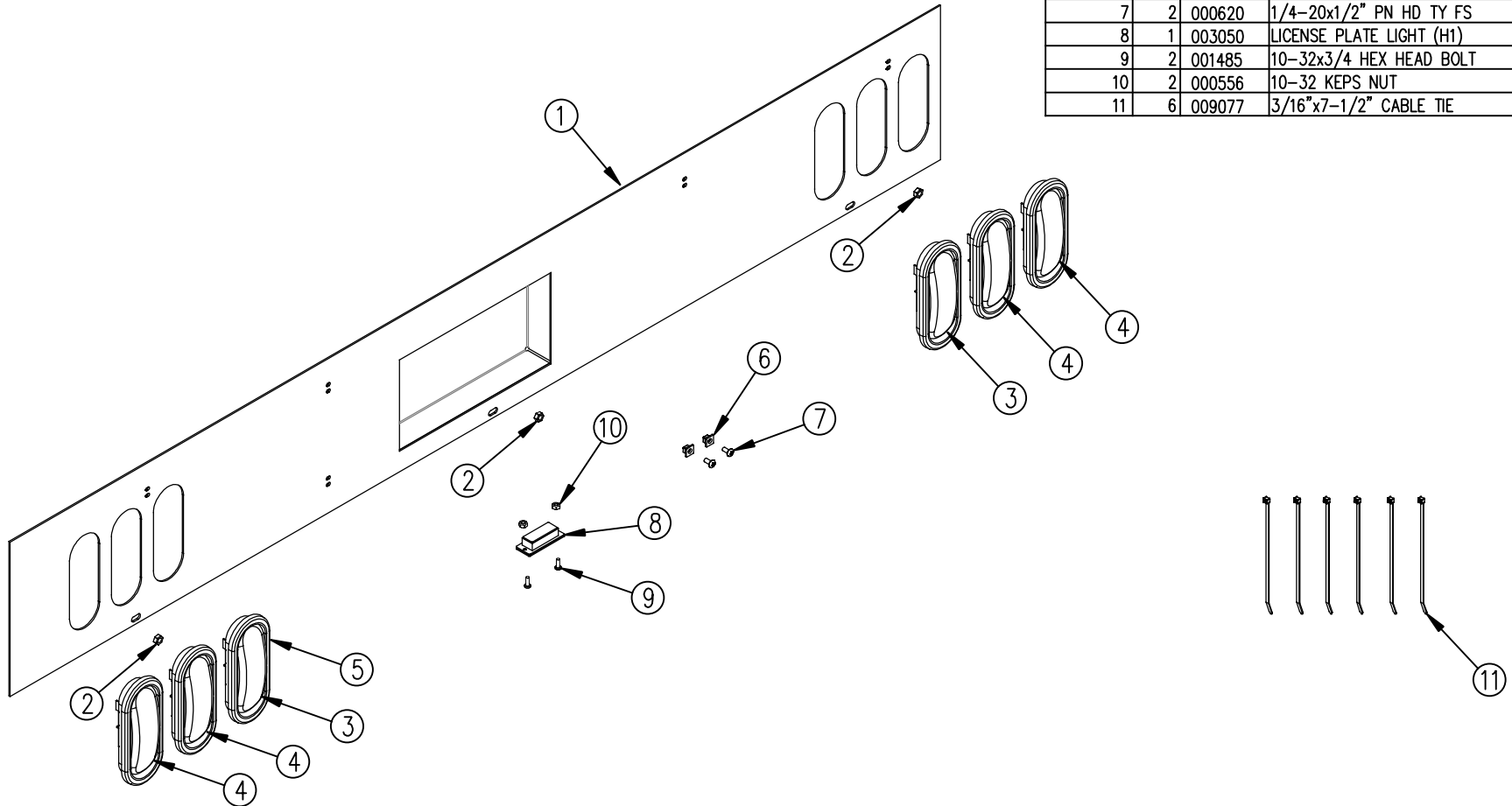


ITEM NO.	QTY.	PART NO.	DESCRIPTION
1	1	011148	BOX COVER WELDMENT (25/30) 85
2	3	000631	5/16-18 SERRATED FLANGENUT (WHIZLOCK)
3	2	004042	RECESSED OVAL CLEAR LIGHT ONLY-ECONO 60 (12VDC)
4	4	004043	RECESSED OVAL RED LIGHT ONLY-ECONO 60 (12VDC)
5	6	004041	BLACK GROMMET - ECONO 60
6	2	000628	LICENSE PLATE NUT
7	2	000620	1/4-20x1/2" PN HD TY FS
8	1	003050	LICENSE PLATE LIGHT (H1)
9	2	001485	10-32x3/4 HEX HEAD BOLT
10	2	000556	10-32 KEPS NUT
11	6	009077	3/16"x7-1/2" CABLE TIE



REV.	DATE	CHANGE RECORD	BY	APPVD	ECN	DRAFT	ANGULAR	SCALE	FIN. WT.	PART NO.	
B	9/28/16	REMOVED PN6720	MTC		1710	2'	±1'	NTS		11777	
A	11/4/11	RELEASED TO PRODUCTION	JAR		539						
						THIRD ANGLE PROJECTION	FILENAME:	WOODBINE MFG. CO. BUS BROWN DRIVE WOODBINE, IOWA 51579			
						DECIMAL MACHINE SAW, DRILL	2PLC .030	3PLC .015	NOTES:		
						SHEAR, PUNCH FORM	.060	.030	DRAWN BY: JAR		
						TORCH, WELDING ROUGH CAST	.090	.060	DRAWN/DATE 11/4/11		
									THE INFORMATION HERE IS CONFIDENTIAL AND MUST NOT BE USED IN ANYWAY DETRIMENTAL TO THE INTEREST OF WOODBINE MFG.		
								TITLE REPLACEMENT STEEL BOX COVER W/LIGHTS (25/30) 85			

