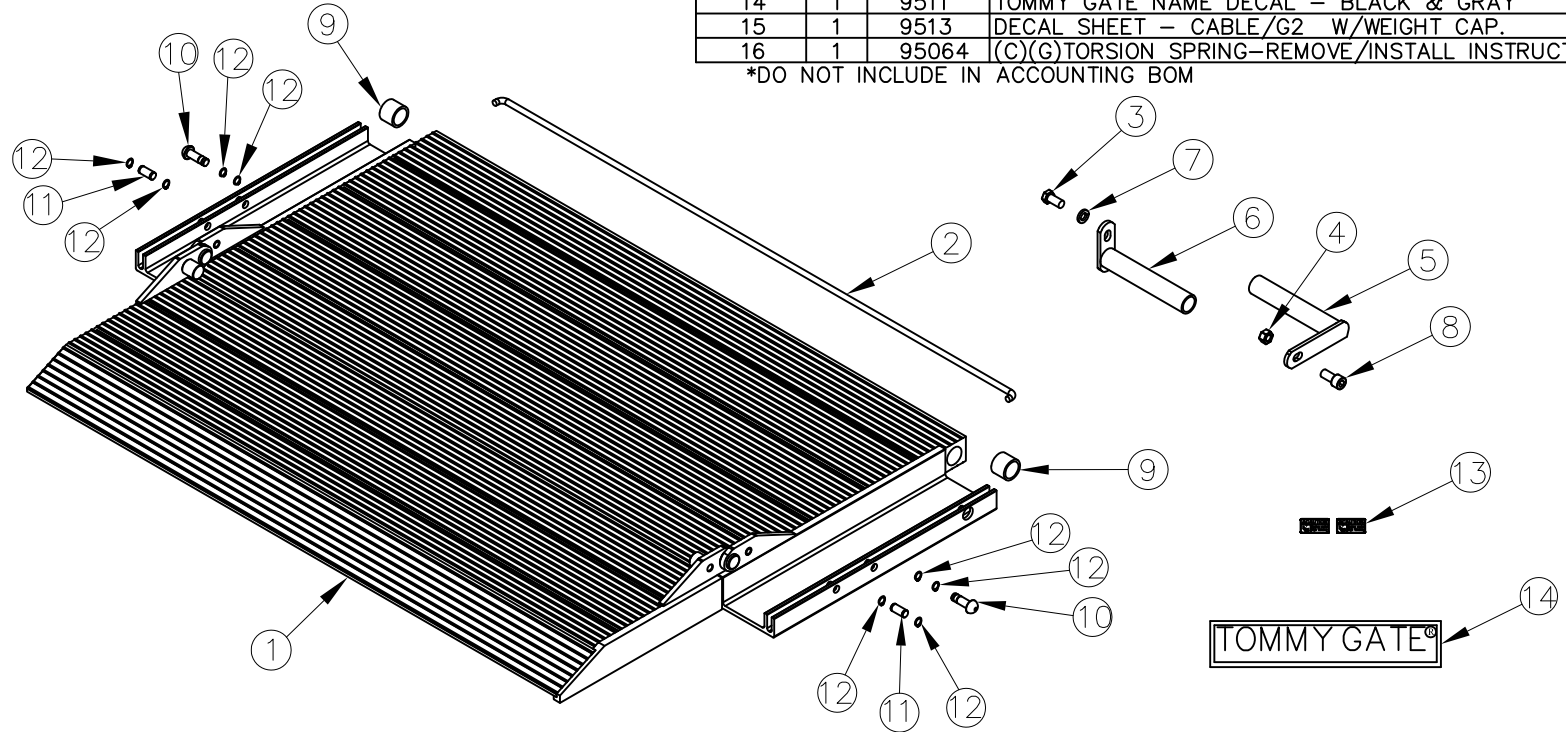


ITEM NO.	QTY.	PART NO.	DESCRIPTION
1	1	3415	T-100 w/F9 EA PLATFORM COMPLETE
2	1	7869	.38"x59.688" TORSION SPRING(60EA)
3	1	587	1/2-13x1" HHCS GR5
4	1	588	1/2-13 CROWN LOCK NUT
5	1	7709	HINGE TUBE SPRING HOLDER-40EA PASS
6	1	7778	HINGE TUBE SPRING HOLDER-EA DRIVER
7	1	573	1/2" SPRING LOCKWASHER
8	1	604	1/2-13x1"USS SOC HD CAP STAINLESS
9	2	8920	1.063"x1.38" I.D.x1.66" O.D.x.140" AL TUBING
10	2	7715	0.5"DIA X 1.5" SS EA PLAT LATCH PIN (34-40)
11	2	7637	0.5"DIA X 1.079" EA PLAT CHAIN PIN (34-40)
12	8	614	1/2"EXTERNAL SNAP RING
13	2	9540*	WARNING DECAL - SPRING TENSION
14	1	9511	TOMMY GATE NAME DECAL - BLACK & GRAY
15	1	9513	DECAL SHEET - CABLE/G2 W/WEIGHT CAP.
16	1	95064	(C)(G)TORSION SPRING-REMOVE/INSTALL INSTRUCT

*DO NOT INCLUDE IN ACCOUNTING BOM




TOMMY GATE®



THE INFORMATION HERE IS CONFIDENTIAL AND MUST NOT BE USED IN ANYWAY DETRIMENTAL TO THE INTEREST OF WOODBINE MFG.

NOTES: APPLY DECALS FROM 9513 SHEET SAME AS PRODUCTION
SEND (2) 9540 LOOSE

REV.	DATE	CHANGE RECORD	BY	APPVD	ECN	DRAFT 2"	ANGULAR ±1°	SALES CATEGORY	PRODUCT LINE	SCALE N	FIN. WT.	PART NO. 1629
								FILENAME:	WOODBINE MFG. CO. BUS BROWN DRIVE WOODBINE, IOWA 51579  THE INFORMATION HERE IS CONFIDENTIAL AND MUST NOT BE USED IN ANYWAY DETRIMENTAL TO THE INTEREST OF WOODBINE MFG.			
								SYMBOLY PER ANSI Y14.5				
								NOTES:				
								DRAWN BY. DJR				
								DRAWN/DATE 11/19/04				
								APPVD/DATE	TITLE			
									60 TOYOTA w/F9 EA REPLACEMENT PLATFORM			

THIRD ANGLE PROJECTION	DECIMAL	2PLC	3PLC
MACHINE SAW, DRILL	.030	.015	
SHEAR, PUNCH FORM	.060	.030	
TORCH, WELDING ROUGH CAST	.090	.060	

D	9/30/16	ADDED (1) 9511, (1) 9513, (1) 95064	AAS	1709
C	11/15/10	ADDED (2) 9540	JCB	367
B	5/20/10	REPLACED KITS WITH INDIVIDUAL PARTS; REMOVED (2) 2020, (2) 8919; ADDED (1) 8920	JCB	276