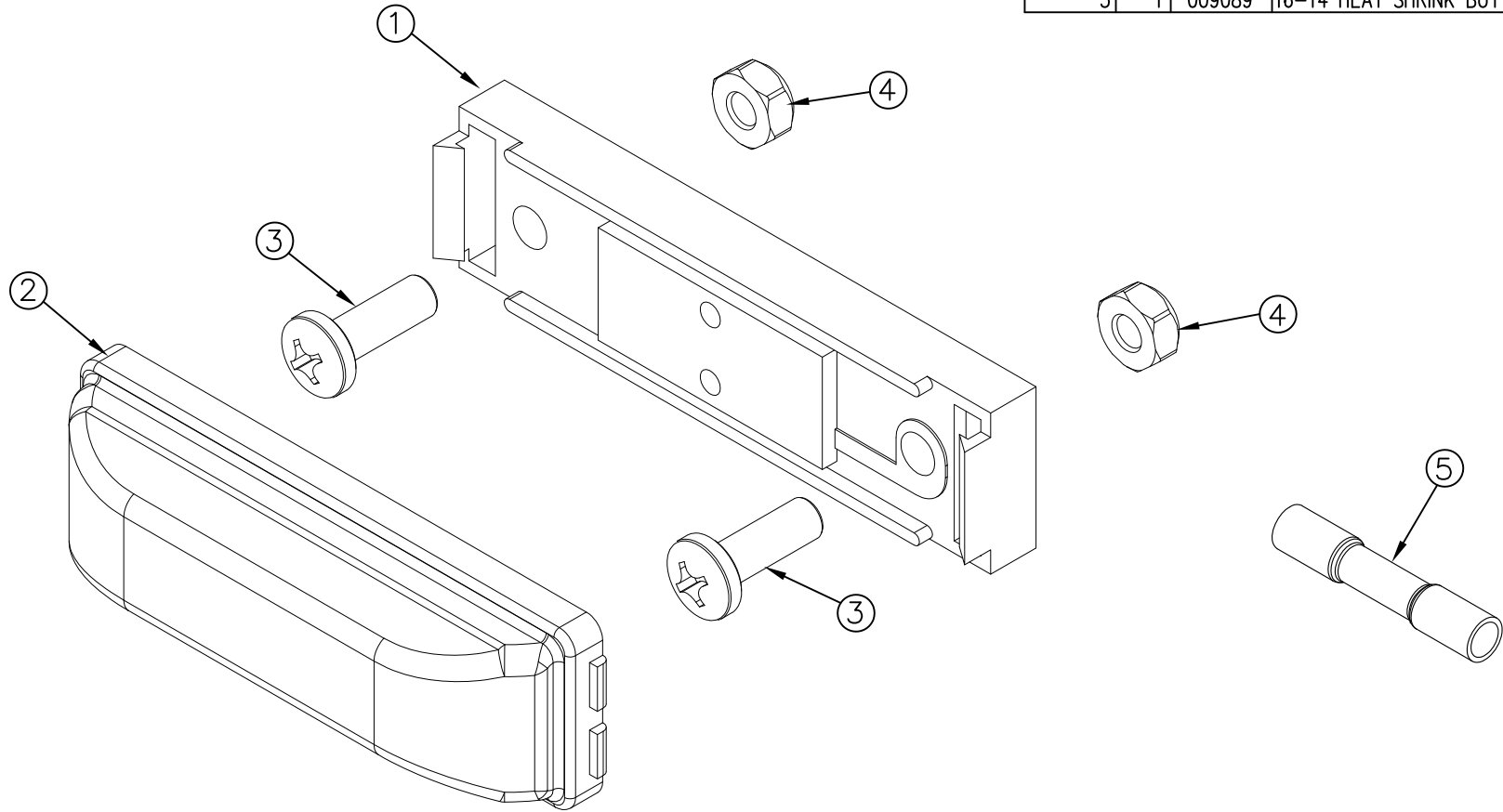


ITEM NO.	QTY.	PART NO.	DESCRIPTION
1	1	004035	LICENSE PLATE LIGHT BRKT-FLEET-RAIL
2	1	004034	LICENSE PLATE LIGHT-154C-FLEET-RAIL
3	2	000504	1/4-20 x 3/4" PH PAN HD MS
4	2	000532	1/4-20 USS CROWN LOCK NUT
5	1	009089	16-14 HEAT SHRINK BUTT CONNECTOR



				THIRD ANGLE PROJECTION			FILENAME: E:\KITS(Mounting Parts)\Railgate\004036.dwg		WOODBINE MFG. CO. BUS BROWN DRIVE WOODBINE, IOWA 51579															
							SYMBOLY PER ANSI Y14.5		NOTES:															
				<table border="1"> <thead> <tr> <th>DECIMAL</th> <th>2PLC</th> <th>3PLC</th> </tr> </thead> <tbody> <tr> <td>MACHINE SAW, DRILL</td> <td>.030</td> <td>.015</td> </tr> <tr> <td>SHEAR, PUNCH FORM</td> <td>.060</td> <td>.030</td> </tr> <tr> <td>TORCH, WELDING ROUGH CAST</td> <td>.090</td> <td>.060</td> </tr> </tbody> </table>			DECIMAL	2PLC	3PLC	MACHINE SAW, DRILL	.030	.015	SHEAR, PUNCH FORM	.060	.030	TORCH, WELDING ROUGH CAST	.090	.060	DRAWN BY. DJR				712-647-2050	
DECIMAL	2PLC	3PLC																						
MACHINE SAW, DRILL	.030	.015																						
SHEAR, PUNCH FORM	.060	.030																						
TORCH, WELDING ROUGH CAST	.090	.060																						
							DRAWN/DATE 7/31/03																	
							APPVD/DATE 6/25/07		THE INFORMATION HERE IS CONFIDENTIAL AND MUST NOT BE USED IN ANYWAY DETRIMENTAL TO THE INTEREST OF WOODBINE MFG.															
B 6/25/07				UPDATED PART INFORMATION			MTC KGJ		TITLE REPLACEMENT LICENSE PLATE LIGHT & BRACKET-154C															
REV. DATE				CHANGE RECORD			BY APPVD ECN		SALES CATEGORY 45															
				DRAFT 2'			ANGULAR ±1°		PRODUCT LINE 2510															
									SCALE N															
									FIN. WT. 0.149															
									PART NO. 4036															