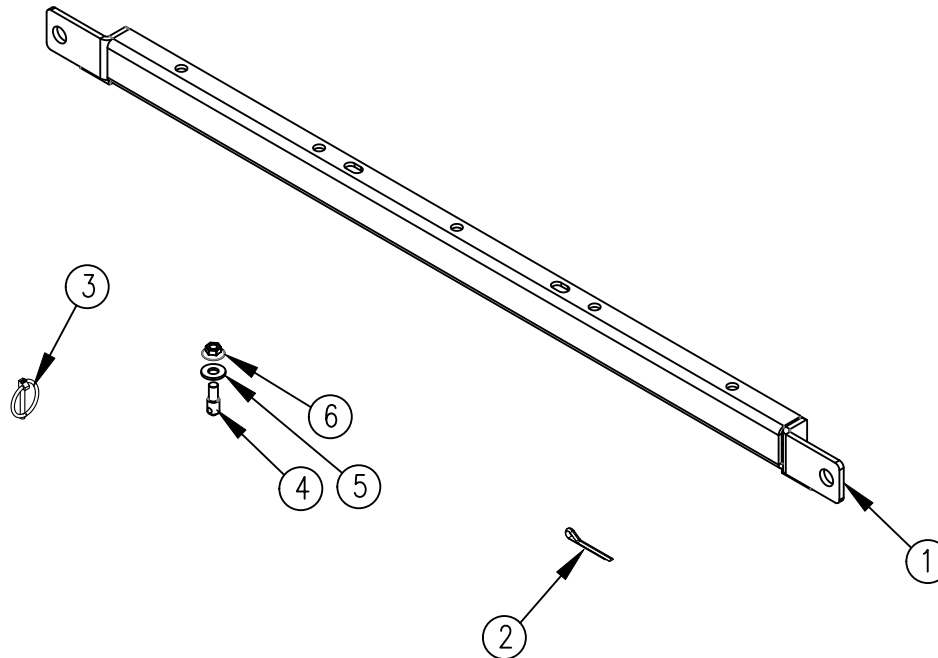


ITEM NO.	QTY.	PART NO.	DESCRIPTION
1	1	017164	FORMED GBR ARM WELDMNT (42" PLATFORM)
2	1	014215	3/16"x1-1/2" COTTER PIN
3	1	004747	GAS BOTTLE RACK HANG-2 LYNCH PIN
4	1	004714	1/2"DIA. PLATFORM LATCH PIN-G2
5	1	000575	3/8" USS FLAT WASHER
6	1	000553	3/8-16 LARGE FLNG LOCK NUT



						THIRD ANGLE PROJECTION	FILENAME:	WOODBINE MFG. CO. BUS BROWN DRIVE WOODBINE, IOWA 51579					
							SYMBOLY PER ANSI Y14.5	NOTES:					
						DECIMAL	2PLC	3PLC	DRAWN BY: GDB				
						MACHINE SAW, DRILL	.030	.015	DRAWN/DATE 5/28/21				
						SHEAR, PUNCH FORM	.060	.030	APPVD/DATE				
						TORCH, WELDING ROUGH CAST	.090	.060	TITLE REPLACEMENT GBR HORIZONTAL ARM HC (42" PLATFORM)				
A	5/28/21	RELEASED TO PRODUCTION			GDB	2620			SALES CATEGORY	PRODUCT LINE	SCALE 1:8	FIN. WT.	PART NO. 017483
REV.	DATE	CHANGE RECORD			BY	APPVD	ECN	DRAFT 2"	ANGULAR ±1"				



THE INFORMATION HERE IS CONFIDENTIAL AND MUST NOT BE USED IN ANYWAY DETRIMENTAL TO THE INTEREST OF WOODBINE MFG.