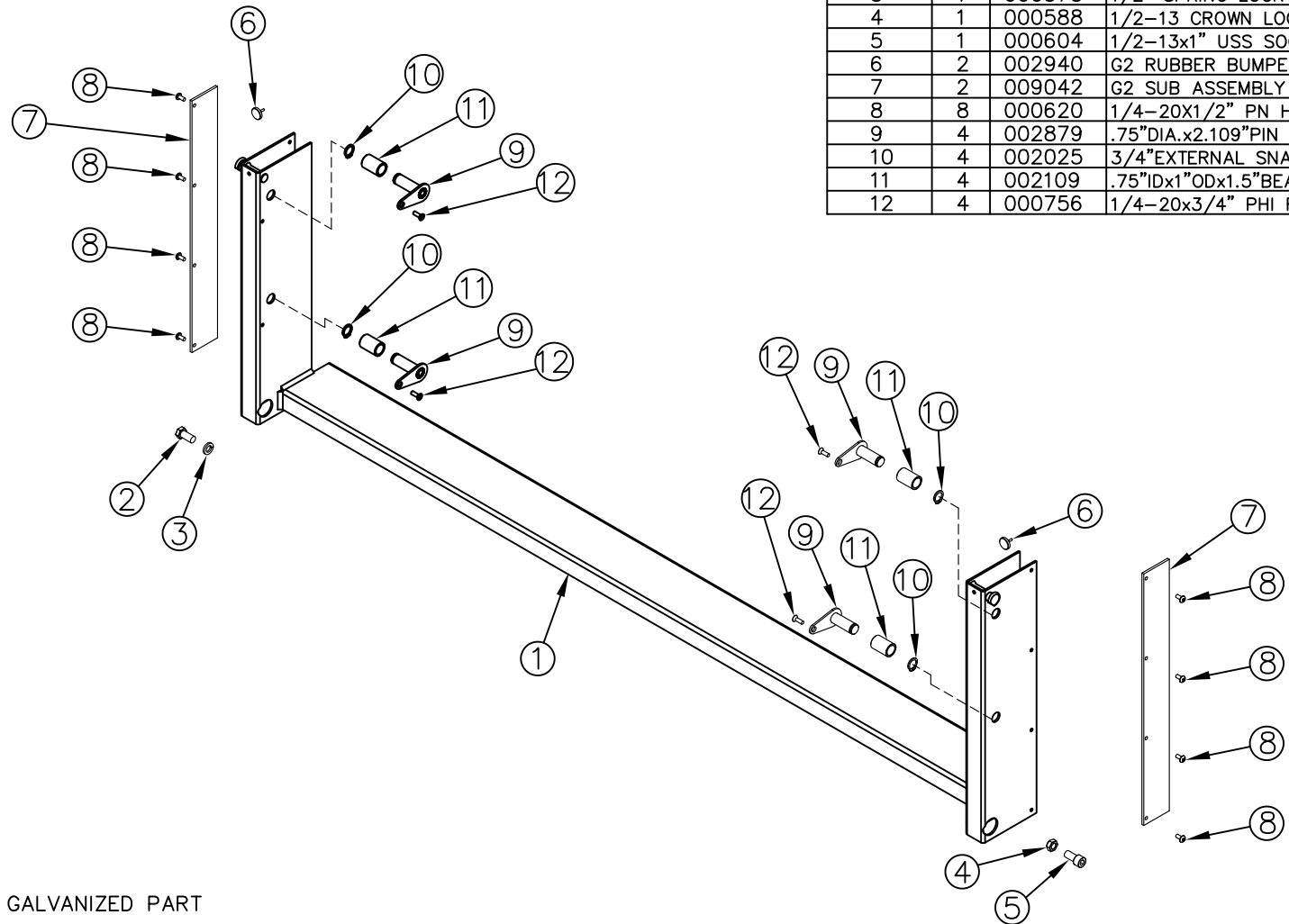


ITEM NO.	QTY.	PART NO.	DESCRIPTION
1	1	013123*	G2 SUB ASSEMBLY(73-42)
2	1	000587	1/2-13x1" HHCS GR5
3	1	000573	1/2" SPRING LOCK WASHER
4	1	000588	1/2-13 CROWN LOCK NUT
5	1	000604	1/2-13x1" USS SOC HD CAP S.S.
6	2	002940	G2 RUBBER BUMPER
7	2	009042	G2 SUB ASSEMBLY BELTING 21-3/8"
8	8	000620	1/4-20X1/2" PN HD TY FS(G2)
9	4	002879	.75"DIA.x2.109"PIN w/FLAT HEAD KEEPER(G2)
10	4	002025	3/4"EXTERNAL SNAP RING (G2) PLATED
11	4	002109	.75"IDx1"ODx1.5"BEARING (G2)
12	4	000756	1/4-20x3/4" PHI FH TYPE F SS



NOTE: "*" INDICATES GALVANIZED PART

				THIRD ANGLE PROJECTION			FILENAME:				WOODBINE MFG. CO. BUS BROWN DRIVE WOODBINE, IOWA 51579																			
							SYMBOLY PER ANSI Y14.5								NOTES:															
				<table border="1"> <tr> <th>DECIMAL</th> <th>2PLC</th> <th>3PLC</th> </tr> <tr> <td>MACHINE SAW, DRILL</td> <td>.030</td> <td>.015</td> </tr> <tr> <td>SHEAR, PUNCH FORM</td> <td>.060</td> <td>.030</td> </tr> <tr> <td>TORCH, WELDING ROUGH CAST</td> <td>.090</td> <td>.060</td> </tr> </table>			DECIMAL	2PLC	3PLC	MACHINE SAW, DRILL	.030	.015	SHEAR, PUNCH FORM	.060					.030	TORCH, WELDING ROUGH CAST	.090	.060	DRAWN BY: AAS				<table border="1"> <tr> <td colspan="4">THE INFORMATION HERE IS CONFIDENTIAL AND MUST NOT BE USED IN ANYWAY DETRIMENTAL TO THE INTEREST OF WOODBINE MFG.</td> </tr> </table>			
DECIMAL	2PLC	3PLC																												
MACHINE SAW, DRILL	.030	.015																												
SHEAR, PUNCH FORM	.060	.030																												
TORCH, WELDING ROUGH CAST	.090	.060																												
THE INFORMATION HERE IS CONFIDENTIAL AND MUST NOT BE USED IN ANYWAY DETRIMENTAL TO THE INTEREST OF WOODBINE MFG.																														
A 9/6/24				RELEASED TO PRODUCTION			APPVD/DATE 9/6/24				TITLE GALVANIZED G2 73-42 LOW PROFILE REPAIR SUB ASSEMBLY																			
REV. DATE				CHANGE RECORD			SALES CATEGORY				PRODUCT LINE		SCALE 1:12		FIN. WT.		PART NO. 18318													