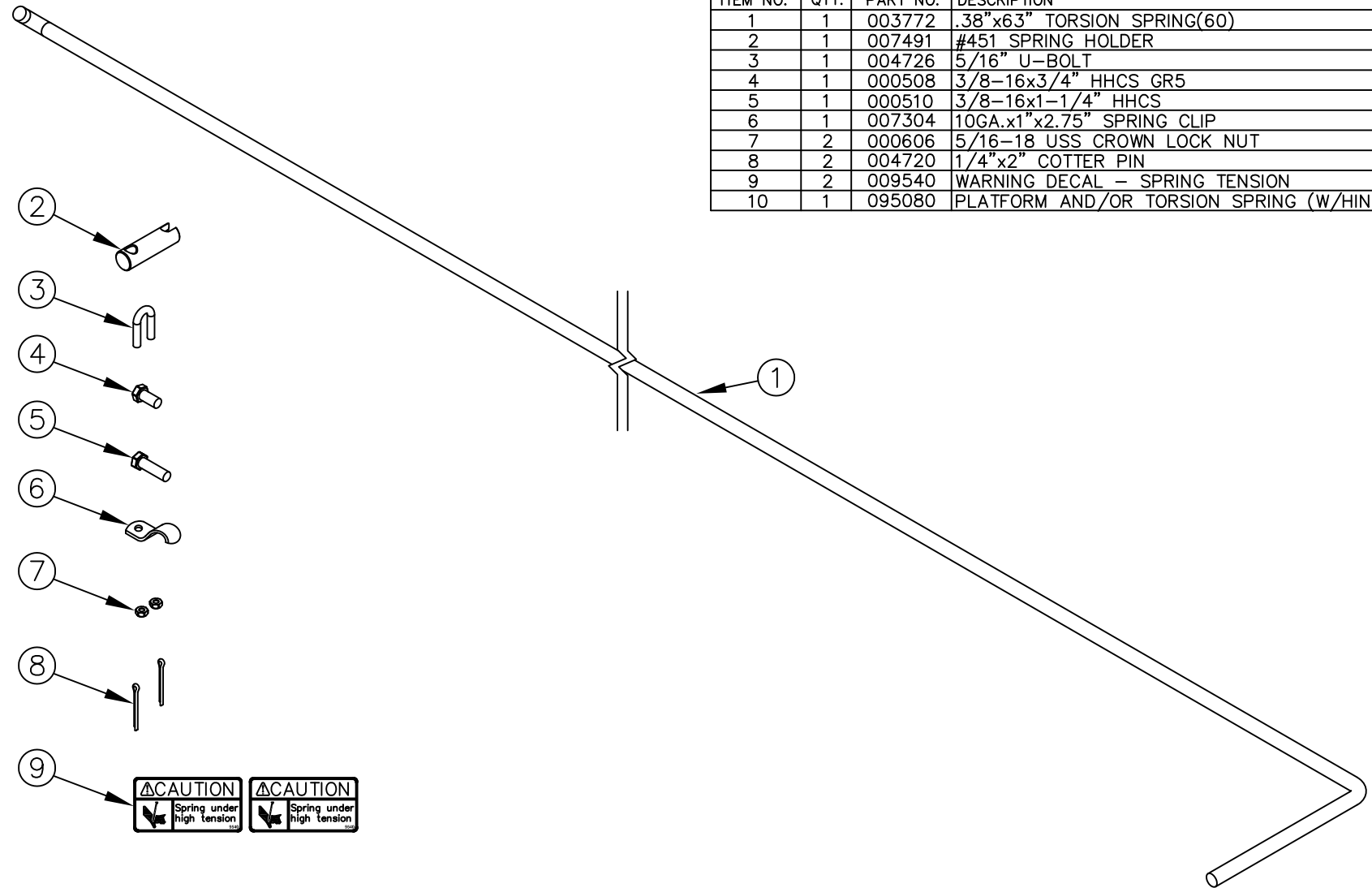


ITEM NO.	QTY.	PART NO.	DESCRIPTION
1	1	003772	.38"x63" TORSION SPRING(60)
2	1	007491	#451 SPRING HOLDER
3	1	004726	5/16" U-BOLT
4	1	000508	3/8-16x3/4" HHCS GR5
5	1	000510	3/8-16x1-1/4" HHCS
6	1	007304	10GA.x1"x2.75" SPRING CLIP
7	2	000606	5/16-18 USS CROWN LOCK NUT
8	2	004720	1/4"x2" COTTER PIN
9	2	009540	WARNING DECAL - SPRING TENSION
10	1	095080	PLATFORM AND/OR TORSION SPRING (W/HINGE TUBE)



					THIRD ANGLE PROJECTION			FILENAME:		WOODBINE MFG. CO. BUS BROWN DRIVE WOODBINE, IOWA 51579													
								SYMBOLY PER ANSI Y14.5		NOTES:													
					<table border="1"> <tr> <td>DECIMAL</td> <td>2PLC</td> <td>3PLC</td> </tr> <tr> <td>MACHINE SAW, DRILL</td> <td>.030</td> <td>.015</td> </tr> <tr> <td>SHEAR, PUNCH FORM</td> <td>.060</td> <td>.030</td> </tr> <tr> <td>TORCH, WELDING ROUGH CAST</td> <td>.090</td> <td>.060</td> </tr> </table>			DECIMAL	2PLC	3PLC	MACHINE SAW, DRILL	.030	.015	SHEAR, PUNCH FORM	.060	.030	TORCH, WELDING ROUGH CAST	.090	.060	DRAWN BY: DJR			
DECIMAL	2PLC	3PLC																					
MACHINE SAW, DRILL	.030	.015																					
SHEAR, PUNCH FORM	.060	.030																					
TORCH, WELDING ROUGH CAST	.090	.060																					
								DRAWN/DATE 6/18/04															
								APPVD/DATE		TITLE TORSION SPRING w/HARDWARE(TOYOTA T-100 & 60))													
B	3/29/11	REPLACED 1143 KIT WITH INDIVIDUAL PARTS; ADDED 95080			JCB		427	SALES CATEGORY		PRODUCT LINE	SCALE N	FIN. WT.	PART NO. 3690										
REV.	DATE	CHANGE RECORD			BY	APPVD	ECN	DRAFT 2*	ANGULAR ±1*														

712-647-2050

THE INFORMATION HERE IS CONFIDENTIAL AND MUST NOT BE USED IN ANYWAY DETRIMENTAL TO THE INTEREST OF WOODBINE MFG.