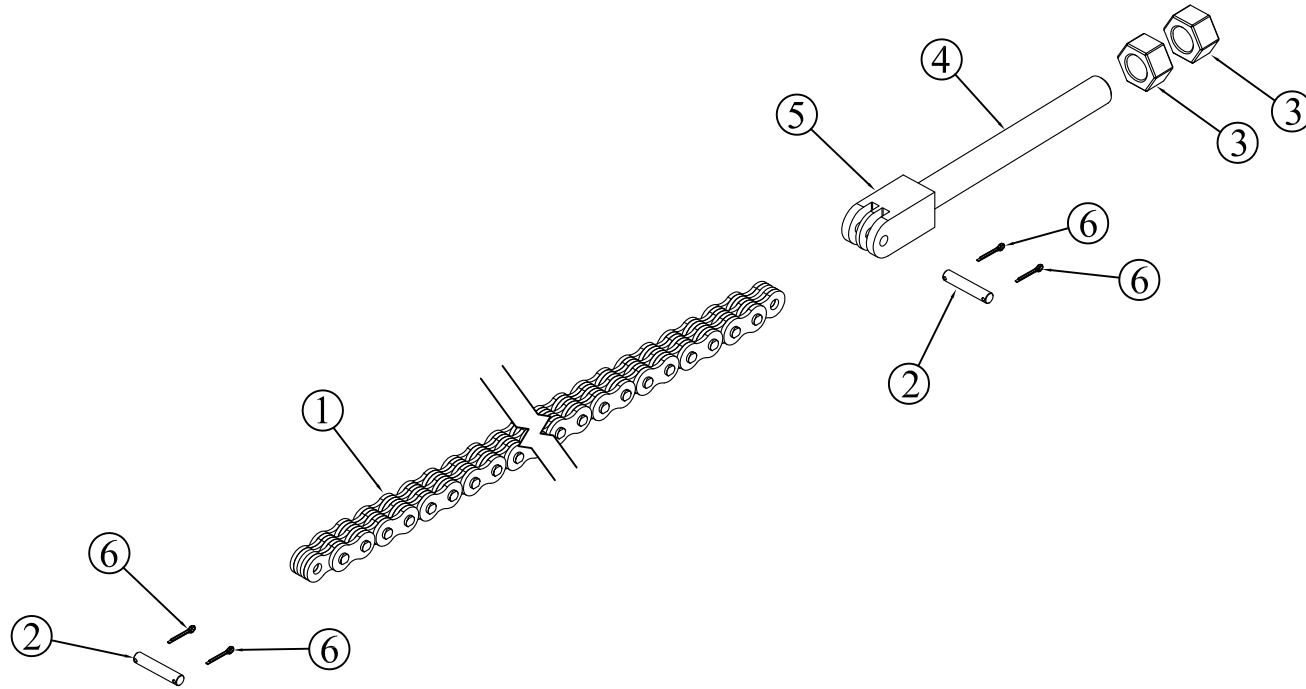


ITEM NO.	QTY.	PART NO.	DESCRIPTION
1	1	012053	291 PITCH LEAF CHAIN
2	2	008204	PIN LEAF CHAIN (25/30)
3	2	000552	5/8-18 SAE HEX FIN NUT
4	1	007667	5/8"x5-3/4" CHAIN ADJUSTMENT BOLT
5	1	008212	CLEVIS LEAF TOWER (25/30) RAIL
6	4	009967	1/16"x1/2" COTTER PIN
7	1	095085	LIFTING CHAIN REPLACEMENT GUIDE



REV.	DATE	CHANGE RECORD	BY	APPVD	ECN	DRAFT 2"	ANGULAR ±1°	SALES CATEGORY	PRODUCT LINE	SCALE N	FIN. WT.	PART NO. 11797												
B	2/28/12	291 PITCH WAS 287 PITCH	LSB		605																			
A	10/17/11	RELEASED TO PRODUCTION	JAR		529																			
						THIRD ANGLE PROJECTION		FILENAME:		WOODBINE MFG. CO. BUS BROWN DRIVE WOODBINE, IOWA 51579														
								SYMBOLY PER ANSI Y14.5		NOTES:														
						<table border="1"> <tr> <th>DECIMAL</th> <th>2PLC</th> <th>3PLC</th> </tr> <tr> <td>MACHINE SAW, DRILL</td> <td>.030</td> <td>.015</td> </tr> <tr> <td>SHEAR, PUNCH FORM</td> <td>.060</td> <td>.030</td> </tr> <tr> <td>TORCH, WELDING ROUGH CAST</td> <td>.090</td> <td>.060</td> </tr> </table>		DECIMAL	2PLC	3PLC	MACHINE SAW, DRILL	.030	.015	SHEAR, PUNCH FORM	.060	.030	TORCH, WELDING ROUGH CAST	.090	.060	DRAWN BY: JAR		712-647-2050		
DECIMAL	2PLC	3PLC																						
MACHINE SAW, DRILL	.030	.015																						
SHEAR, PUNCH FORM	.060	.030																						
TORCH, WELDING ROUGH CAST	.090	.060																						
								DRAWN/DATE: 10/17/11																
								APPVD/DATE		<small>THE INFORMATION HERE IS CONFIDENTIAL AND MUST NOT BE USED IN ANYWAY DETRIMENTAL TO THE INTEREST OF WOODBINE MFG.</small>														
								TITLE		REPLACEMENT LEAF CHAIN 291 PITCH - DRIVER'S SIDE														