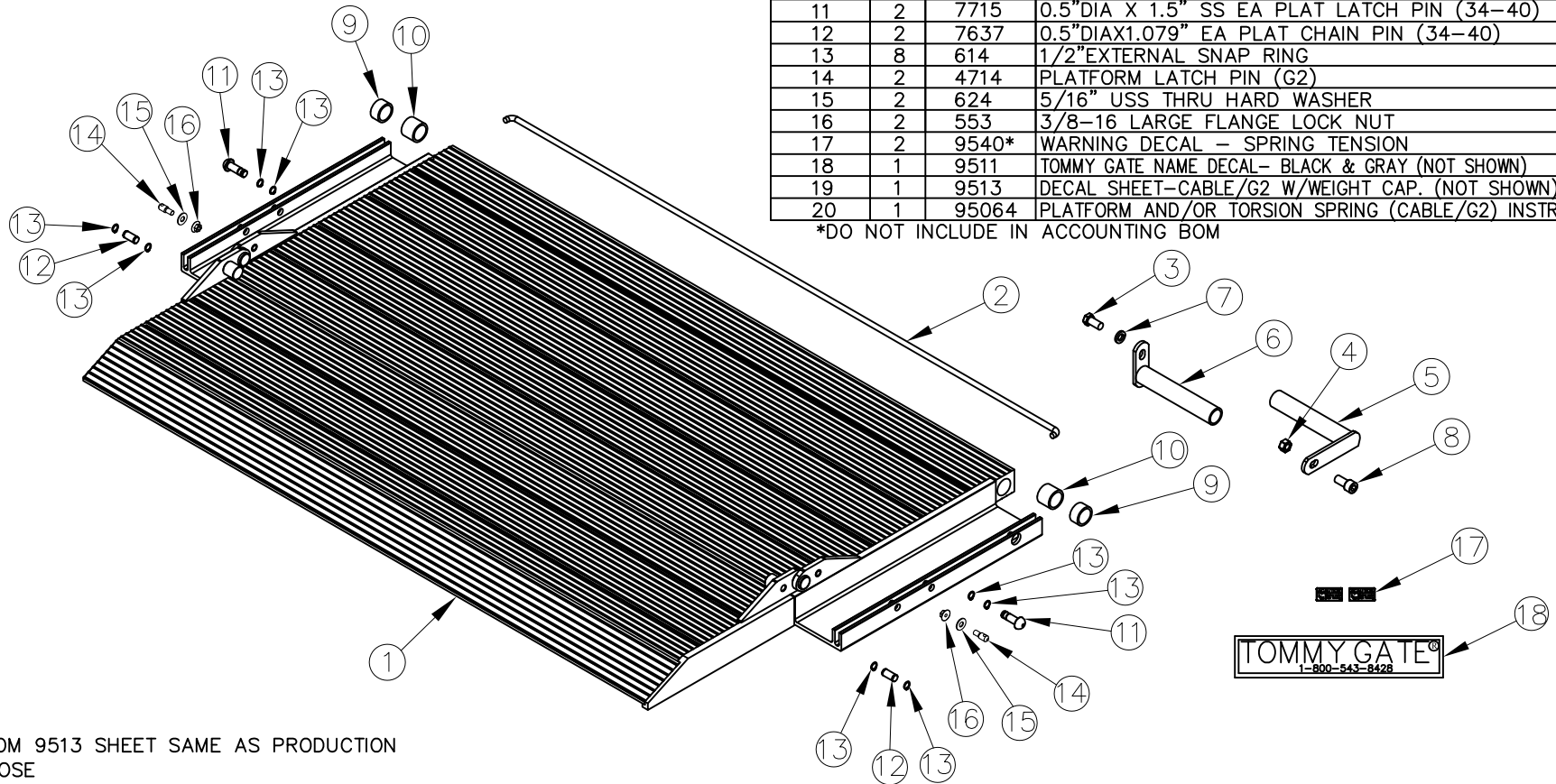


ITEM NO.	QTY.	PART NO.	DESCRIPTION
1	1	3407	60-F11 EA PLATFORM COMPLETE
2	1	7869	.38"x59.688" TORSION SPRING(60EA)
3	1	587	1/2-13x1" HHCS GR5
4	1	588	1/2-13 CROWN LOCK NUT
5	1	7709	HINGE TUBE SPRING HOLDER-40EA PASS
6	1	7778	HINGE TUBE SPRING HOLDER-EA DRIVER
7	1	573	1/2" SPRING LOCKWASHER
8	1	604	1/2-13x1"USS SOC HD CAP STAINLESS
9	2	8919	9/16"x1.38" I.D.x1.66" O.D.x.140" AL TUBING
10	2	8920	1.063"x1.38" I.D.x1.66" O.D.x.140" AL TUBING
11	2	7715	0.5"DIA X 1.5" SS EA PLAT LATCH PIN (34-40)
12	2	7637	0.5"DIA X 1.079" EA PLAT CHAIN PIN (34-40)
13	8	614	1/2"EXTERNAL SNAP RING
14	2	4714	PLATFORM LATCH PIN (G2)
15	2	624	5/16" USS THRU HARD WASHER
16	2	553	3/8-16 LARGE FLANGE LOCK NUT
17	2	9540*	WARNING DECAL - SPRING TENSION
18	1	9511	TOMMY GATE NAME DECAL- BLACK & GRAY (NOT SHOWN)
19	1	9513	DECAL SHEET-CABLE/G2 W/WEIGHT CAP. (NOT SHOWN)
20	1	95064	PLATFORM AND/OR TORSION SPRING (CABLE/G2) INSTR.

*DO NOT INCLUDE IN ACCOUNTING BOM



NOTES: APPLY DECALS FROM 9513 SHEET SAME AS PRODUCTION
SEND (2) 9540 LOOSE

REV.	DATE	CHANGE RECORD	BY	APPVD	ECN	DRAFT 2'	ANGULAR ±1'	SALES CATEGORY	PRODUCT LINE	SCALE	FIN. WT.	PART NO.
D.1	8/17/16	UPDATED TITLE BLOCK	AAS					FILENAME:				
D	3/20/14	ADDED (1) 9511, (1) 9513, & (1) 95064; UPDATED NOTES	JCB		1063			SYMBOLY PER ANSI Y14.5	NOTES:			
C	11/15/10	ADDED (2) 9540	JCB		367			DRAWN BY. DJR				
B	5/20/10	REPLACED KITS WITH INDIVIDUAL PARTS; ADDED (1) 8920	JCB		276			DRAWN/DATE 2/25/03				
A	8/7/06	DRAWN IN AUTOCAD	JCB	KGJ				APPVD/DATE	TITLE (60-1040F11)EA REPLACEMENT PLATFORM			
										N		1632

WOODBINE MFG. CO.
BUS BROWN DRIVE
WOODBINE, IOWA 51579

The original
TOMMY GATE
hydraulic lift

THE INFORMATION HERE IS CONFIDENTIAL
AND MUST NOT BE USED IN ANYWAY
DETRIMENTAL TO THE INTEREST OF
WOODBINE MFG.