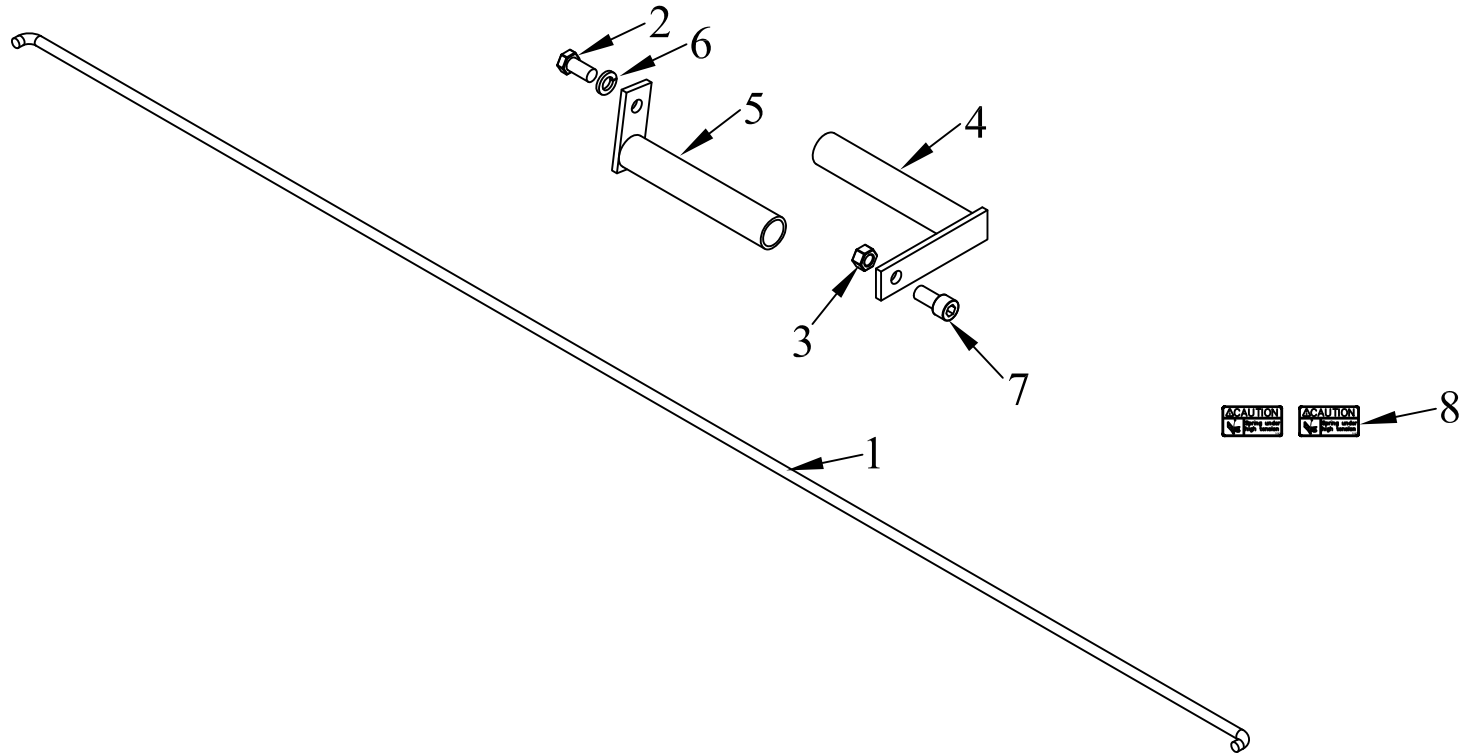


ITEM NO.	QTY.	PART NO.	DESCRIPTION
1	1	007869	.38"x59.688" TORSION SPRING(60EA)
2	1	000587	1/2-13x1" HHCS GR5
3	1	000588	1/2-13 CROWN LOCK NUT
4	1	007710	HINGE TUBE SPRING HOLDER-46EA PASS
5	1	007778	HINGE TUBE SPRING HOLDER-EA DRIVER
6	1	000573	1/2" SPRING LOCKWASHER
7	1	000604	1/2-13x1"USS SOC HD CAP STAINLESS
8	2	009540	WARNING DECAL - SPRING TENSION
9	1	095064	PLATFORM AND/OR TORSION SPRING (CABLE/G2)



					THIRD ANGLE PROJECTION		FILENAME:		WOODBINE MFG. CO. BUS BROWN DRIVE WOODBINE, IOWA 51579															
							SYMBOLY PER ANSI Y14.5		NOTES:															
					<table border="1"> <tr> <th>DECIMAL</th> <th>2PLC</th> <th>3PLC</th> </tr> <tr> <td>MACHINE SAW, DRILL</td> <td>.030</td> <td>.015</td> </tr> <tr> <td>SHEAR, PUNCH FORM</td> <td>.060</td> <td>.030</td> </tr> <tr> <td>TORCH, WELDING ROUGH CAST</td> <td>.090</td> <td>.060</td> </tr> </table>		DECIMAL	2PLC	3PLC	MACHINE SAW, DRILL	.030	.015	SHEAR, PUNCH FORM	.060	.030	TORCH, WELDING ROUGH CAST	.090	.060	DRAWN BY: DJR				712-647-2050	
DECIMAL	2PLC	3PLC																						
MACHINE SAW, DRILL	.030	.015																						
SHEAR, PUNCH FORM	.060	.030																						
TORCH, WELDING ROUGH CAST	.090	.060																						
B 3/29/11 ADDED (2) 9540, (1) 95064 JCB 427							DRAWN/DATE 7/9/04																	
A 8/8/06 UPDATED BOM JCB KGJ							APPVD/DATE		THE INFORMATION HERE IS CONFIDENTIAL AND MUST NOT BE USED IN ANYWAY DETRIMENTAL TO THE INTEREST OF WOODBINE MFG.															
REV. DATE CHANGE RECORD BY APPVD ECN					DRAFT 2*		ANGULAR ±1*		TITLE EA TORSION SPRING KIT(60)DEEP PLATFORM SALES CATEGORY PRODUCT LINE SCALE FIN. WT. PART NO. 8084															