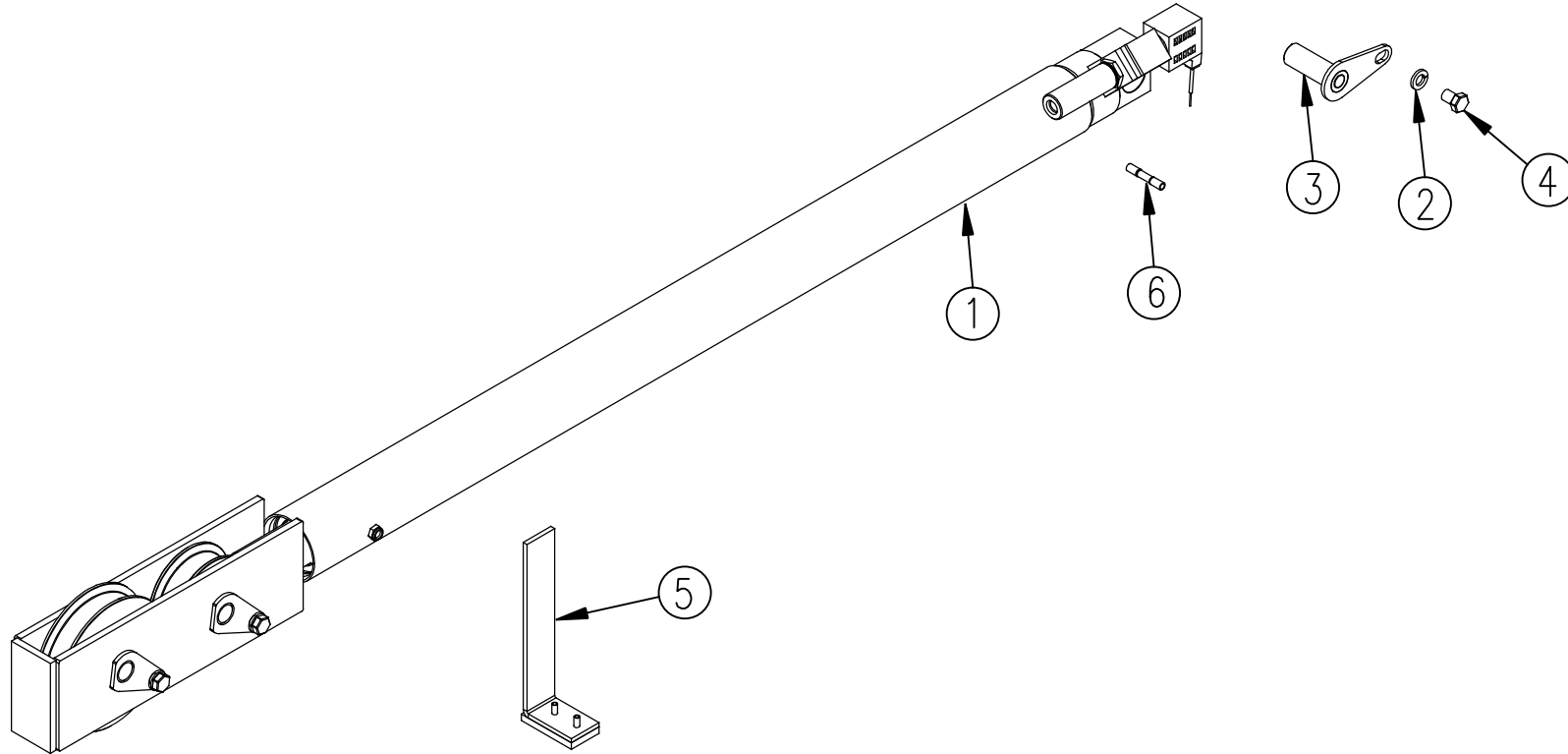


ITEM NO.	QTY.	PART NO.	DESCRIPTION
1	1	013909	CYLINDER COMPLETE BF
2	1	000572	3/8" SPRING LOCK WASHER
3	1	006280	CYL PIN WLDMT (25/30)
4	1	000508	3/8-16x3/4"HHCS GR5
5	1	006980	CYLINDER FOOT WITH BEARING PAD (N)
6	1	009089	16-14 HEAT SHRINK BUTT CONNECTOR
7	1	095073	RAIL SERIES CYLINDER REPLACEMENT INSTRUCTIONS



				THIRD ANGLE PROJECTION			FILENAME:		NOTES:		WOODBINE MFG. CO. BUS BROWN DRIVE WOODBINE, IOWA 51579		
							SYMBOLY PER ANSI Y14.5						
				DECIMAL	2PLC	3PLC	DRAWN BY.						
				MACHINE SAW, DRILL	.030	.015	AAS						
				SHEAR, PUNCH FORM	.060	.030	DRAWN/DATE 3/25/16						
				TORCH, WELDING ROUGH CAST	.090	.060	APPVD/DATE		TITLE		<small>THE INFORMATION HERE IS CONFIDENTIAL AND MUST NOT BE USED IN ANYWAY DETRIMENTAL TO THE INTEREST OF WOODBINE MFG.</small>		
A	3/25/16	RELEASED TO PRODUCTION		AAS		1593			REPLACEMENT CYLINDER BIFOLD RAILGATE				
REV.	DATE	CHANGE RECORD		BY	APPVD	ECN	DRAFT 2'	ANGULAR ±1'	SALES CATEGORY	PRODUCT LINE	SCALE 1:6	FIN. WT.	PART NO. 014699