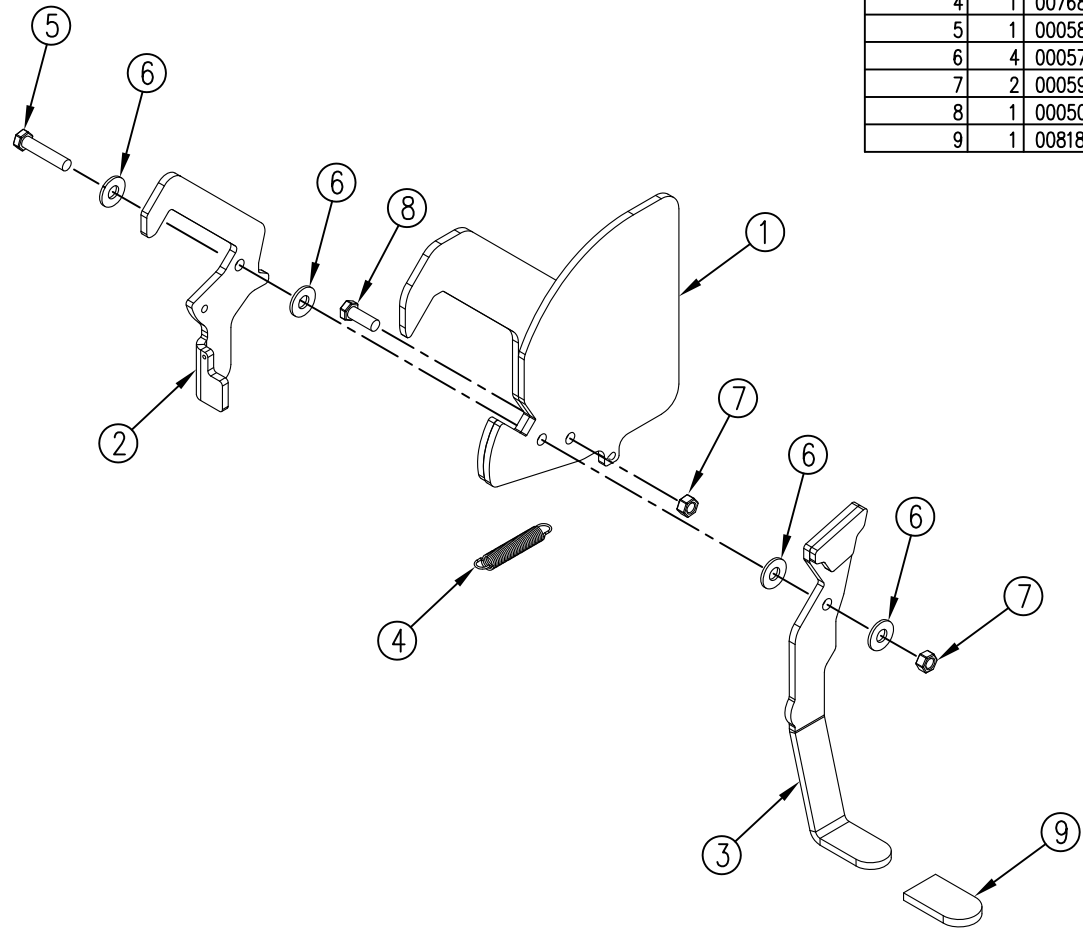


ITEM NO.	QTY.	PART NO.	DESCRIPTION
1	1	012020	25/30 RAIL AB LATCH/WEAR PLATE RIGHT
2	1	011404	LATCH HOOK
3	1	010517	LATCH HANDLE W/WEARPLATE WDMT
4	1	007680	RAIL LATCH SPRING-STAINLESS STEEL
5	1	000589	3/8-16x1-3/4" HHCS GR5
6	4	000575	3/8 USS FLAT WASHER
7	2	000597	3/8-16 2 WAY LOCK NUT
8	1	000509	3/8-16x1"HHCS GR5
9	1	008180	HANDLE GRIP



					THIRD ANGLE PROJECTION					WOODBINE MFG. CO. BUS BROWN DRIVE WOODBINE, IOWA 51579																	
								SYMBOLY PER ANSI Y14.5		NOTES:																	
					<table border="1"> <tr> <th>DECIMAL</th> <th>2PLC</th> <th>3PLC</th> </tr> <tr> <td>MACHINE SAW, DRILL</td> <td>.030</td> <td>.015</td> </tr> <tr> <td>SHEAR, PUNCH FORM</td> <td>.060</td> <td>.030</td> </tr> <tr> <td>TORCH, WELDING ROUGH CAST</td> <td>.090</td> <td>.060</td> </tr> </table>			DECIMAL	2PLC			3PLC	MACHINE SAW, DRILL	.030	.015	SHEAR, PUNCH FORM	.060	.030	TORCH, WELDING ROUGH CAST	.090	.060	DRAWN BY. MTC		<table border="1"> <tr> <td colspan="2">DRAWN/DATE</td> </tr> <tr> <td colspan="2">12/21/17</td> </tr> </table>		DRAWN/DATE	
DECIMAL	2PLC	3PLC																									
MACHINE SAW, DRILL	.030	.015																									
SHEAR, PUNCH FORM	.060	.030																									
TORCH, WELDING ROUGH CAST	.090	.060																									
DRAWN/DATE																											
12/21/17																											
A	12/21/17	RELEASED TO PRODUCTION			MTC		1992	TITLE		REPLACEMENT AB STEEL LATCH PLATE - RIGHT (25/30)																	
REV.	DATE	CHANGE RECORD			BY	APPVD	ECN	DRAFT 2'	ANGULAR ±1'	SCALE 1:6	FIN. WT.	PART NO. 015371															

THE INFORMATION HERE IS CONFIDENTIAL AND MUST NOT BE USED IN ANYWAY DETRIMENTAL TO THE INTEREST OF WOODBINE MFG.

