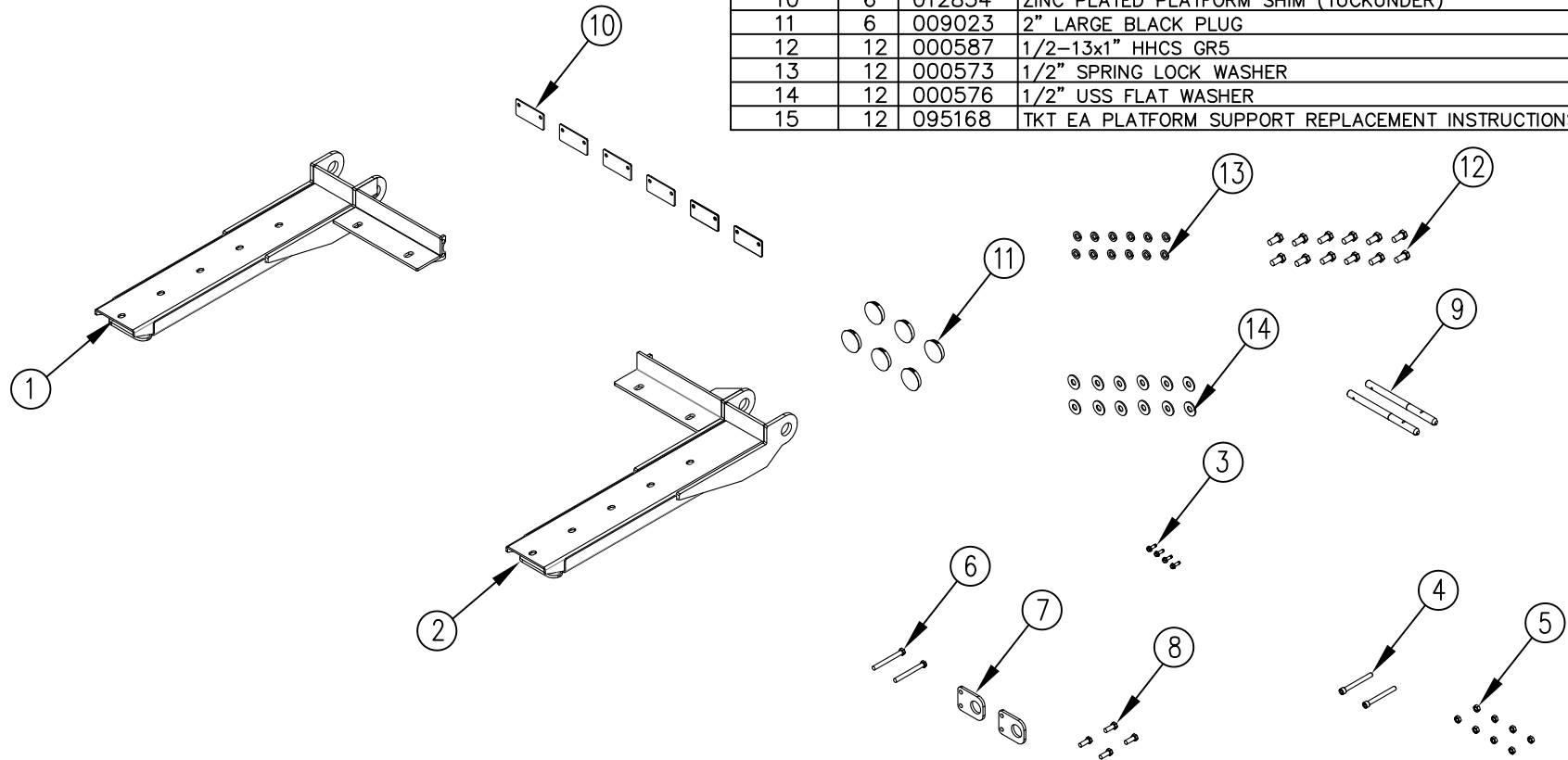


ITEM NO.	QTY.	PART NO.	DESCRIPTION
1	1	013020	50" EA PLATFORM SUPPORT-DRIVER
2	1	013021	50" EA PLATFORM SUPPORT-CURB
3	4	013980	1/4-20x3/4" SS TY F HEX HD
4	2	013019	3/8-16 X 3-1/2" SOCKET HEAD CAP SCREW
5	8	000605	3/8-16 USS LOCK NUT
6	2	010046	3/8-16x3-1/2" HHCS GR5
7	2	013696	1/4X2.50X3.19" SPRING PLATE (TUCKUNDER)
8	4	000509	3/8-16x1"HHCS GR5
9	2	011527	1.24"DIA.x17.50"PLATFORM PIN(TUCKUNDER)
10	6	012834	ZINC PLATED PLATFORM SHIM (TUCKUNDER)
11	6	009023	2" LARGE BLACK PLUG
12	12	000587	1/2-13x1" HHCS GR5
13	12	000573	1/2" SPRING LOCK WASHER
14	12	000576	1/2" USS FLAT WASHER
15	12	095168	TKT EA PLATFORM SUPPORT REPLACEMENT INSTRUCTIONS



						THIRD ANGLE PROJECTION	FILENAME:	WOODBINE MFG. CO. BUS BROWN DRIVE WOODBINE, IOWA 51579				
							SYMBOLY PER ANSI Y14.5	NOTES:				
						DECIMAL MACHINE SAW,DRILL	2PLC .030	3PLC .015	DRAWN BY. GDB			
B	5/23/17	ADDED (6)9023,(12)587,(12)573,(12)576,(4)13980;REMOVED (4)620	AAS	1877		SHEAR, PUNCH FORM	.060	.030	DRAWN/DATE 3/16/16	THE INFORMATION HERE IS CONFIDENTIAL AND MUST NOT BE USED IN ANYWAY DETRIMENTAL TO THE INTEREST OF WOODBINE MFG.		
A	3/16/16	RELEASED TO PRODUCTION	GDB	1600		TORCH, WELDING ROUGH CAST	.090	.060	APPVD/DATE	TITLE REPL. 50" EA PLATFORM SUPPORTS (TKT)		
REV.	DATE	CHANGE RECORD	BY	APPVD	ECN	DRAFT 2"	ANGULAR ±1"	SALES CATEGORY	PRODUCT LINE	SCALE 1:16	FIN. WT.	PART NO. 14678