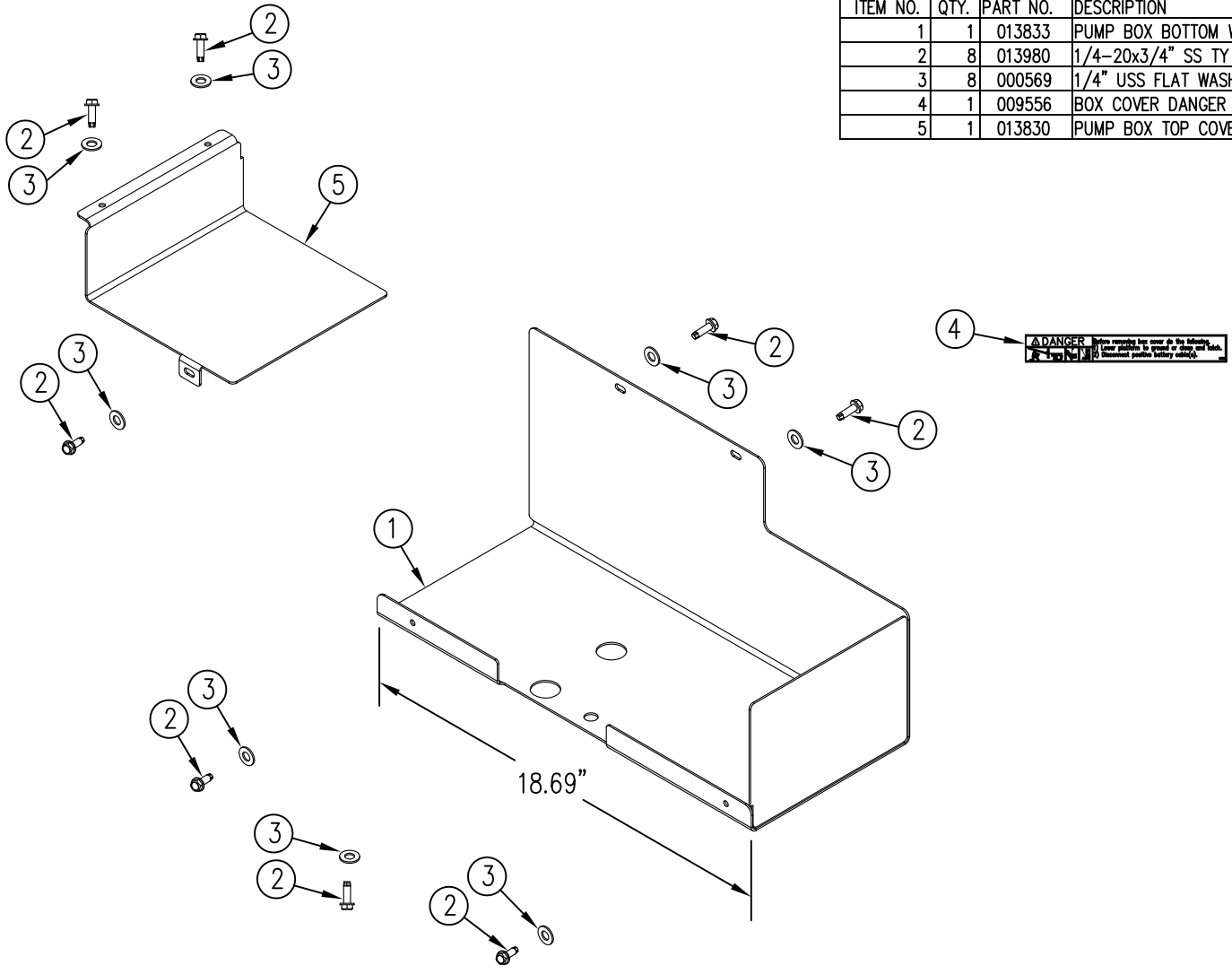


ITEM NO.	QTY.	PART NO.	DESCRIPTION
1	1	013833	PUMP BOX BOTTOM WELDMENT (CANTILEVER) 18.69"
2	8	013980	1/4-20x3/4" SS TY F HEX HD
3	8	000569	1/4" USS FLAT WASHER
4	1	009556	BOX COVER DANGER DECAL
5	1	013830	PUMP BOX TOP COVER (CANTILEVER)



						THIRD ANGLE PROJECTION	FILENAME:	WOODBINE MFG. CO. BUS BROWN DRIVE WOODBINE, IOWA 51579					
							SYMBOLY PER ANSI Y14.5	NOTES:					
						DECIMAL MACHINE SAW, DRILL	2PLC .030	3PLC .015	DRAWN BY: JCB	712-647-2050			
B	8/10/15	REPLACE 747 WITH 13980	AAS	1463		SHEAR, PUNCH FORM	.060	.030	DRAWN/DATE 8/25/14	THE INFORMATION HERE IS CONFIDENTIAL AND MUST NOT BE USED IN ANYWAY DETRIMENTAL TO THE INTEREST OF WOODBINE MFG.			
A	8/25/14	RELEASED TO PRODUCTION	JCB	1188		TORCH, WELDING ROUGH CAST	.090	.060	APPVD/DATE	TITLE REPLACEMENT CANTILEVER PUMP BOX COVER (18.69")			
REV.	DATE	CHANGE RECORD	BY	APPVD	ECN	DRAFT 2"	ANGULAR ±1°	SALES CATEGORY	PRODUCT LINE	SCALE 1:6	FIN. WT.	PART NO. 14107	