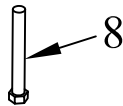
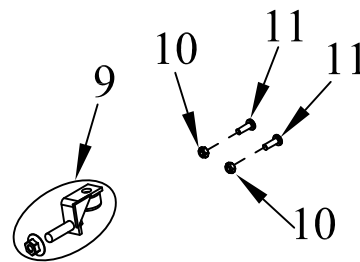

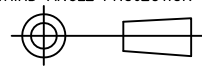


ITEM NO.	QTY.	PART NO.	DESCRIPTION
1	1	1446	VERTICAL LIFT TUBE w/BUSH.(3x3x30.68)
2	1	1406	1"EXTERNAL SNAP RING(5100-1.00)
3	1	1333	1"DIA.x5.12" PIN w/WELDED LUG
4	1	1405	3/4" EXTERNAL SNAP RING(5100-.75)
5	1	1426	.752" I.D.x1.0025"x1.5" BRONZE BUSHING
6	1	515	1/2-20x2" GR5 TAP BOLT
7	1	560	1/2-20 GR5 HEX NUT
8	1	533	3/8-16x3" HHCS GR5
9	1	2203	REPLACEMENT FLIPPER STOP(650-31)
10	2	532	1/4-20 USS CROWN LOCK NUT
11	2	504	1/4-20x3/4" PH PAN HD MS
12	1	1329	.75"DIA.x4.81" PIN



NOTE: PN 1329 IS WELDED TO PN 1446 PRIOR TO PAINT TO MATCH PRODUCTION

REV.	DATE	CHANGE RECORD	BY	APPVD	ECN	DRAFT	ANGULAR	SALES CATEGORY	PRODUCT LINE	SCALE	FIN. WT.	PART NO.
B	10/7/16	ADDED (1) 1329, UPDATED TITLE BLOCK, ADDED WELD NOTE	AAS		1716	2'	±1'			N		2212
						THIRD ANGLE PROJECTION		FILENAME:		NOTES: WOODBINE MFG. CO. BUS BROWN DRIVE WOODBINE, IOWA 51579  THE INFORMATION HERE IS CONFIDENTIAL AND MUST NOT BE USED IN ANYWAY DETRIMENTAL TO THE INTEREST OF WOODBINE MFG.		
						 DECIMAL 2PLC 3PLC MACHINE SAW, DRILL .030 .015 SHEAR, PUNCH FORM .060 .030 TORCH, WELDING ROUGH CAST .090 .060		SYMBOLY PER ANSI Y14.5				
								DRAWN BY. DJR				
								DRAWN/DATE 7/25/05				
								APPVD/DATE		TITLE REPLACEMENT VERTICAL LIFT TUBE(3x3x30.68)		