

Ford-  
Ranger: 2019-present

## Preparing the Gate

1. Remove the mounting hardware which is banded to the liftgate.
2. Verify mounting bracket kit (Figure 1 and Table 1).

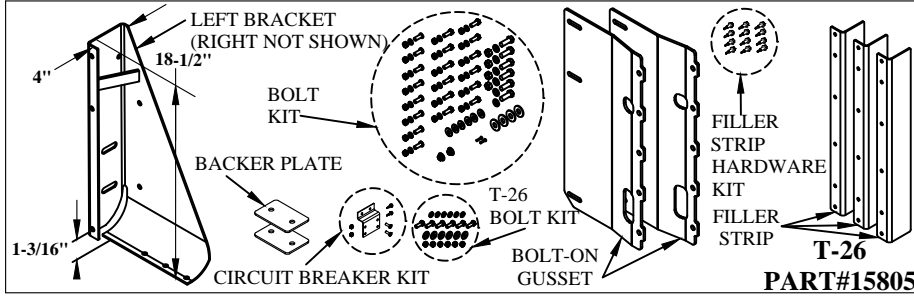


Figure 1: T-26 Part Identification.

Table 1: T-26 Parts List.

| QTY. | PART NO. | DESCRIPTION                          |
|------|----------|--------------------------------------|
| 1    | 9094     | Standard Pickup Bracket Bolt Bag Kit |
| 1    | 15839    | T-26 Left Mounting Bracket           |
| 1    | 15840    | T-26 Right Mounting Bracket          |
| 2    | 2943     | Backer Plate                         |
| 3    | 15838    | Filler Strip                         |
| 1    | 14196    | Circuit Breaker Bracket Kit          |
| 1    | 16296    | Filler Strip Hardware Kit            |
| 1    | 18125    | T-26 Bolt Bag Kit                    |
| 1    | 18122    | T-26 Bolt-on Gusset (Left)           |
| 1    | 18123    | T-26 Bolt-on Gusset (Right)          |

3. Support the liftgate; it will not stand upright without the angle irons.
4. Unbolt and Save the two (2) angle irons attached to the liftgate uprights (Figure 2).
5. Remove and Save the two (2) bracket plates attached to the liftgate (Figure 2).

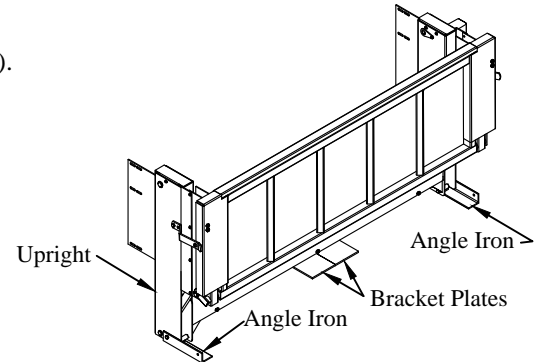


Figure 2: Complete liftgate (G<sup>2</sup> shown).

## Installing the Bolt-on Gussets

1. Install the eight (8) 3/8" x 1" button head bolts, lock washers, and nuts in the position shown for your configuration (Figure 3).
  - G<sup>2</sup>dual drive® bolt-on gussets and button head bolts go to the outside of the 1/4" x 1" strip.

Note: The extra hole in the bolt-on gusset is always below the 1/4" x 1" strip (Figure 4).

Note: The larger hole and taper in the bolt-on gusset are always toward the bottom (Figure 4).

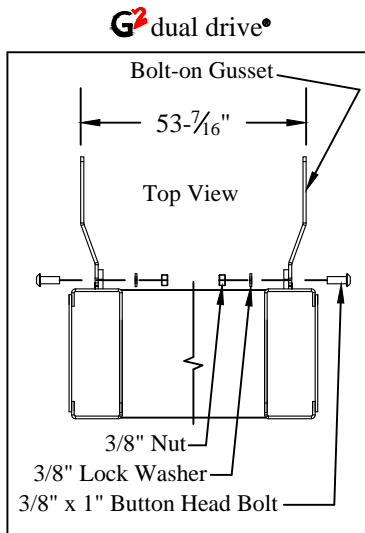


Figure 3: Top view of liftgate bolt-on gussets.

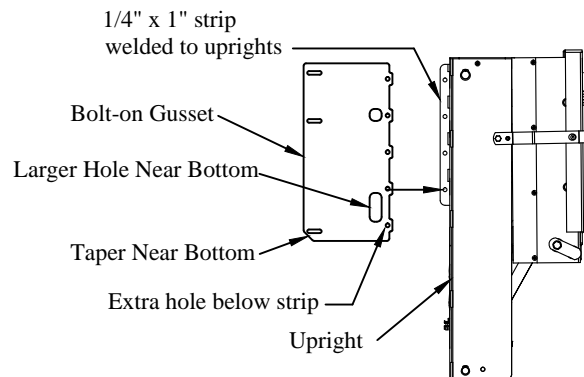


Figure 4: Liftgate requiring bolt-on gussets (G<sup>2</sup> shown).

**Preparing the Truck**

1. **Remove** the tailgate (Figure 5).
2. **Remove** the tailgate strikers and rubber stops (Figure 5).
3. **Remove** and **Save** the tie down hooks on the corner posts. These bolts may have red thread locker. Use penetrating oil and hand tools only to avoid stripping the bolts.
4. **Remove** and **Save** the tail lights.
5. **Remove** the tailgate hinges, if they are bolted on.
6. **Support** the rear bumper and factory receiver hitch to keep them from falling while removing the mounting bolts.
7. **Remove** the factory receiver hitch.

Note: If the rear exhaust hanger is attached to the hitch, it will need to be reattached to the truck later.

8. **Remove** the rear bumper and bumper mounting brackets.

Note: The tailgate, receiver hitch, and rear bumper cannot be remounted after the liftgate is installed.

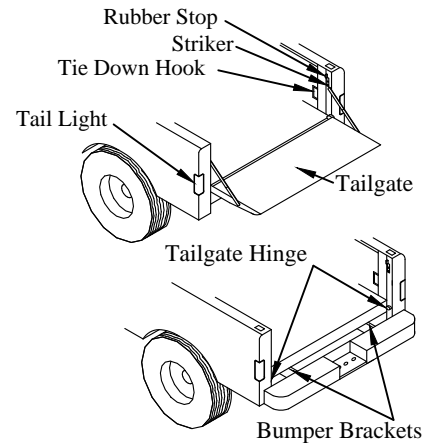


Figure 5: Remove Hardware.

**Modifying the Tail Light Mounting**

Note: No modification is needed for 2019-present model year trucks.  
The factory tail light screws can be accessed through the holes in the gussets.

**Installing the Filler Strip**

Note: A filler strip is needed to fill the 1-3/4" gap between the liftgate and the truck bed.  
A three-piece 12ga.x17-1/2 formed filler strip is included for this purpose.  
Note: The filler strip must be mounted on the liftgate before the liftgate is mounted on the truck.

1. **Arrange** the three (3) filler strips along the top corner of the liftgate mainframe (Figure 6). Position the long flange horizontal.
2. **Attach** the three (3) filler strips to the mainframe with the provided self drilling screws.  
Avoid obstructions inside the mainframe box while attaching filler strips.

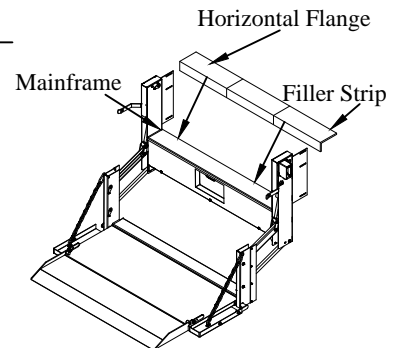


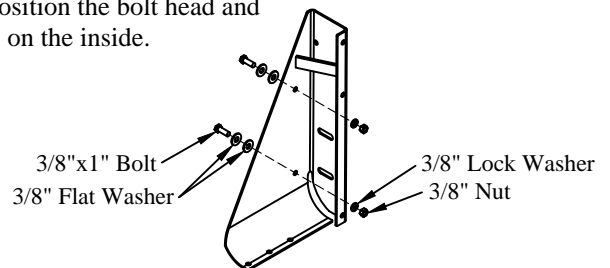
Figure 6: Filler strip location.

**Preparing the Brackets**

Note: For 2024-present trucks, bolts are used as spacers to properly align the brackets with the gussets. For 2019-2023 trucks the extra bolts are not needed.  
Note: These bolts are spacers only, they do not attach the bracket to the truck.

1. **Skip** to "Installing the Liftgate" for 2019-2023 trucks. Otherwise, **Proceed** to step 2 for 2024-present trucks.
2. **Install** two (2) 3/8 bolts and (4) flat washers onto each bracket (Figure 7). Position the bolt head and flat washers on the outside (truck side), and the 3/8 lock washers and nuts on the inside.

Note: If the truck has ProPower (bed-side outlets), the bolts on the driver side bracket can be omitted.



Note: Passenger side shown, driver side similar.

Figure 7: Spacer location.

**Installing the Liftgate**

1. **Position** the mounting brackets into the truck bed in front of the corner posts (Figure 8).  
Do not drill holes for mounting brackets at this time.
2. **Position** the Tommy Lift into the bed opening. The liftgate should be:
  - Centered in the opening.
  - Flush with the top of the truck bed floor.
  - Top of upright is level with the ground.
  - Has 1-3/4" space between the back of the liftgate and the truck bed.

Note: The purpose of the 1-3/4" space between the back of the liftgate and the truck bed is to allow access to the tail light screws through the liftgate gussets.

3. **Hand tighten** each mounting bracket to the liftgate gussets using the supplied:
  - (3) 3/8"x1" hex head bolts on the bracket-side (Figure 8).
  - (3) 3/8" lock washers, and (3) 3/8" nuts on the gusset-side (Figure 8).

Note: The liftgate will not hang properly during the drilling process if supported by the corner posts only. For that reason, on this liftgate application, the following procedure is used.

4. **Allow** some of the liftgate weight to rest on the truck.  
The bracket must contact the corner post and the truck bed floor.  
The bracket should also be straight with the floor ribs.
5. With most of the liftgate weight still supported by the fork truck or hoist, **Hold** the bracket against the corner post and truck bed floor.
6. **Check** for obstructions before drilling in the next steps.
7. **Drill** two (2) 3/8" holes into the truck bed floor using two adjacent holes in the bracket as a guide (Figure 9).
8. **Fasten** each bracket to the truck box using the supplied (Figure 9):
  - (2) 3/8"x1" hex head bolts on the top-side.
  - (1) backer plate, (2) lock washers, and (2) hex nuts on the under-side.
9. **Drill** one (1) 3/8" hole into the truck corner post using hole in the bracket as a guide (Figure 10).

10. **Fasten** each bracket to the truck corner post using the supplied (Figure 10):
  - (1) 3/8"x1" hex head bolt on the bracket-side.
  - (1) flat washer, (1) lock washer, and (1) hex nut on the truck-side.

11. **Adjust** the liftgate so that it is:
  - Top of upright is level with the ground.
  - Has 1-3/4" space between the back of the liftgate and the truck bed.

12. **Tighten** the bolts securing the liftgate gusset to the mounting brackets.  
The lock washer split must not be in the gusset slot when tightening bolts.

13. **Install** the tail lights.

14. **Install** the tie down hooks that were previously removed from the corner posts.

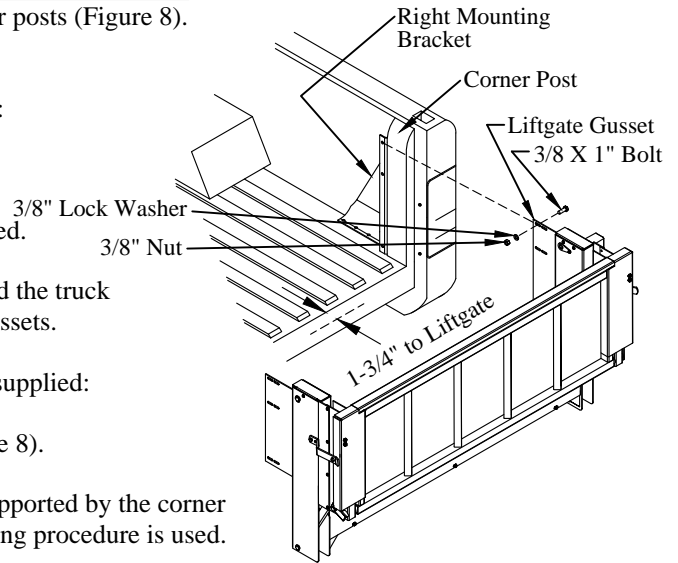


Figure 8: Mounting bracket and liftgate.

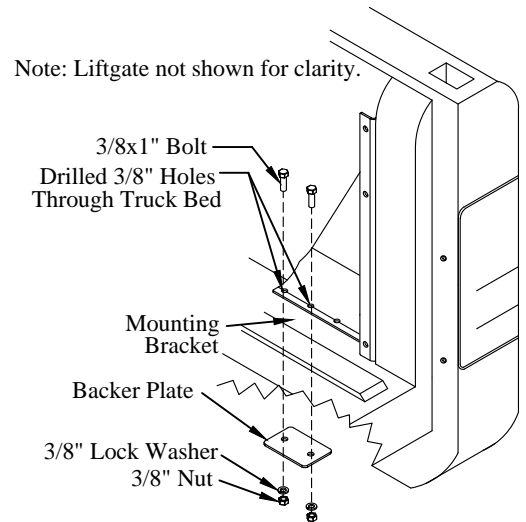


Figure 9: Mounting bracket and backer plates.

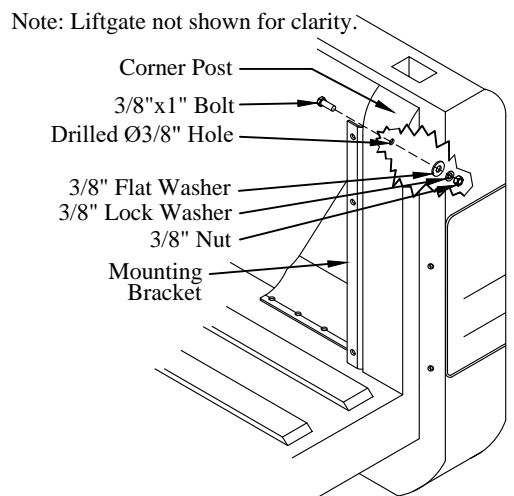


Figure 10: Mounting bracket and backer plates.

**Checking the Spare Tire Access**

Note: There are holes in the mainframe that provide access to the spare tire crank mechanism.

1. **Remove** the box cover by removing the 5/16" hex head nuts (Figure 11).
2. **Remove** and **Discard** the black plastic plug from the mainframe in the location shown or **Drill** a hole as indicated if one does not exist (Figure 12).
3. **Verify** spare tire access operation by inserting the spare tire crank rod through the access hole.

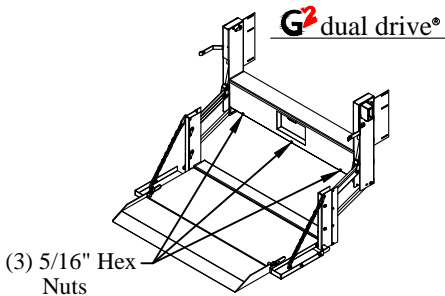


Figure 11: Box cover locations.

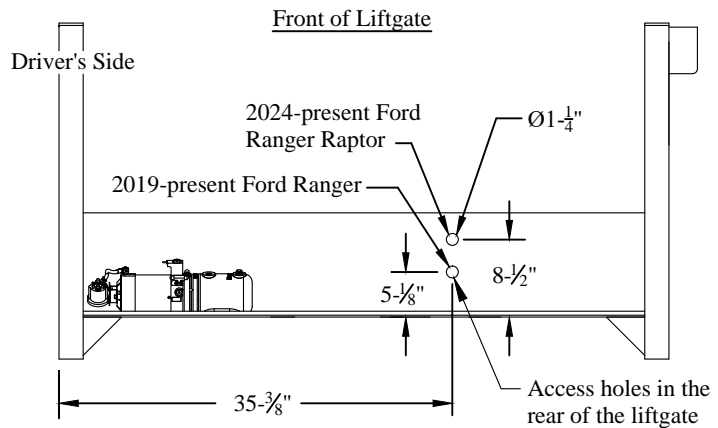


Figure 12: Spare tire access.

**Preparing the Gate for Wiring**

1. **Unscrew** the solid plastic plug from the pump reservoir. The box cover should already be off.

Note: The hydraulic system has already been filled with the proper amount of hydraulic oil so **do not** add any oil at this time.

2. **Attach** 12 volts from a battery to the liftgate power cables (no battery chargers).
3. **Push** the hidden "Power On" switch (Figure 18). The amber "Power On" LED will illuminate.
4. **Push** the hidden "Liftgate Activated" switch twice within one second. The red "Liftgate Activated" LED will illuminate.

Note: With both lights on, the liftgate can be raised or lowered. If not used for 90 seconds, the control will automatically shut off.

5. **Push** the toggle switch down to lower the liftgate to the ground.

6. **Remove** the following from inside the liftgate mainframe:

- Owner/Operator Manual
- License plate light
- License plate light hardware
- (1) Vent plug
- (1) 150 Amp manual reset circuit breaker
- (4) Copper lugs
- (2) License plate nuts and screws
- (1) Padlock with keys
- (5) 3/8" plastic plugs
- (1) Drop away pin
- (1) Lower mounting kit

7. **Install** the vent plug provided into the pump reservoir (Figure 13).

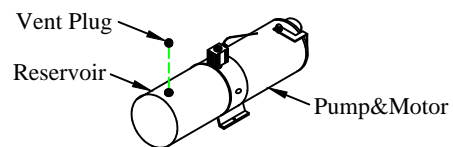


Figure 13: Vent plug.

**Routing the Power Cables**

1. **Install** the circuit breaker on the circuit breaker bracket with 1/4" screws and nuts (Figure 14 or 16).
2. **Install** the circuit breaker on the vehicle firewall, inside the engine compartment away from moving parts.  
Leave enough room for the power cables to be installed and so that the circuit breaker can easily be reset.
3. **Loosen** the strain relief on the back of the liftgate mainframe (Figure 15).

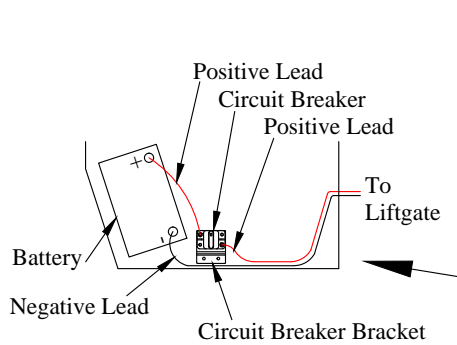


Figure 14: 2024-present circuit breaker bracket.

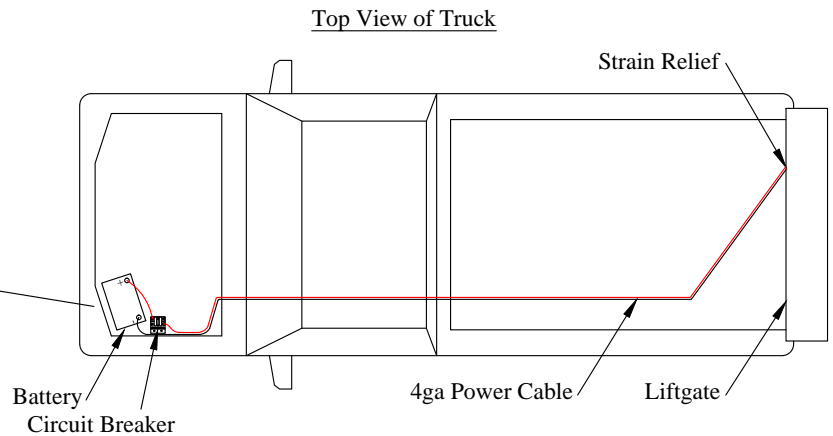


Figure 15: 2024-present electrical routing.

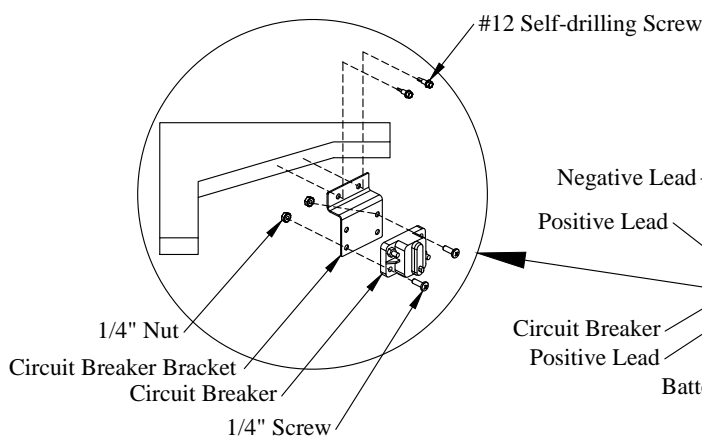


Figure 16: 2019-2023 circuit breaker bracket.

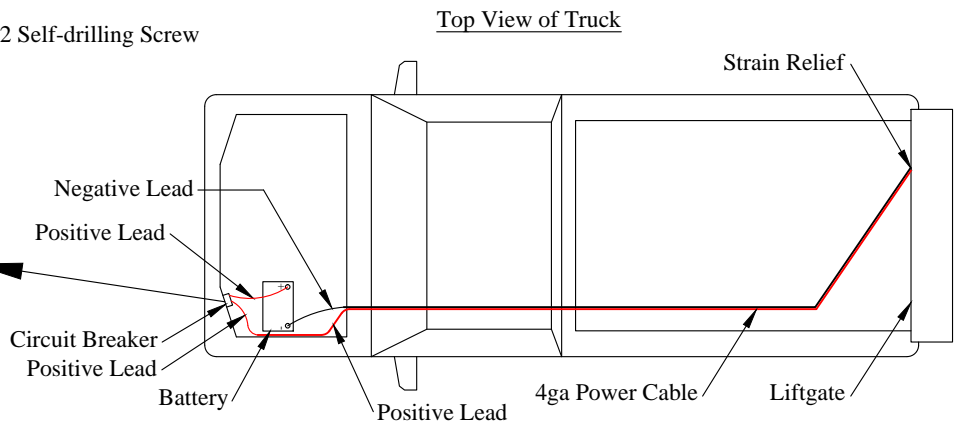


Figure 17: 2019-2023 electrical routing.

**Routing the Power Cables (continued)**

4. **Pull** the power cable (coiled up in the liftgate mainframe) carefully through the strain relief. Leave approximately two (2) inches of slack inside the liftgate mainframe (Figure 17).
5. **Tighten** the strain relief.
6. **Route** the power cables along the frame (Figure 17) to the battery following the *Tommy Gate Recommended Electrical Wiring Guidelines*.
7. **Pull** the excess cable beyond the battery.
8. **Separate** the positive(+) and negative(-) leads.
9. **Cut** the positive(+) lead to the length required to reach the auxiliary (AUX) terminal of the circuit breaker.
10. **Cut** the remaining pos.(+) lead long enough to reach from the circuit breaker battery (BAT) terminal to the pos.(+) battery terminal.
11. **Cut** the negative(-) lead to a length required to reach the negative battery terminal.

**IMPORTANT:** The pump and motor unit for this lift can require significant electrical power at 12 volts D.C. Be sure that the negative(-) ground lead is connected to the negative(-) terminal of the vehicle battery.

12. **Install** the copper lugs and heat shrink tubing on all required ends.
13. **Connect** the circuit breaker and battery as outlined in the *Tommy Gate Recommended Electrical Wiring Guidelines* and wiring diagram (Figure 18).

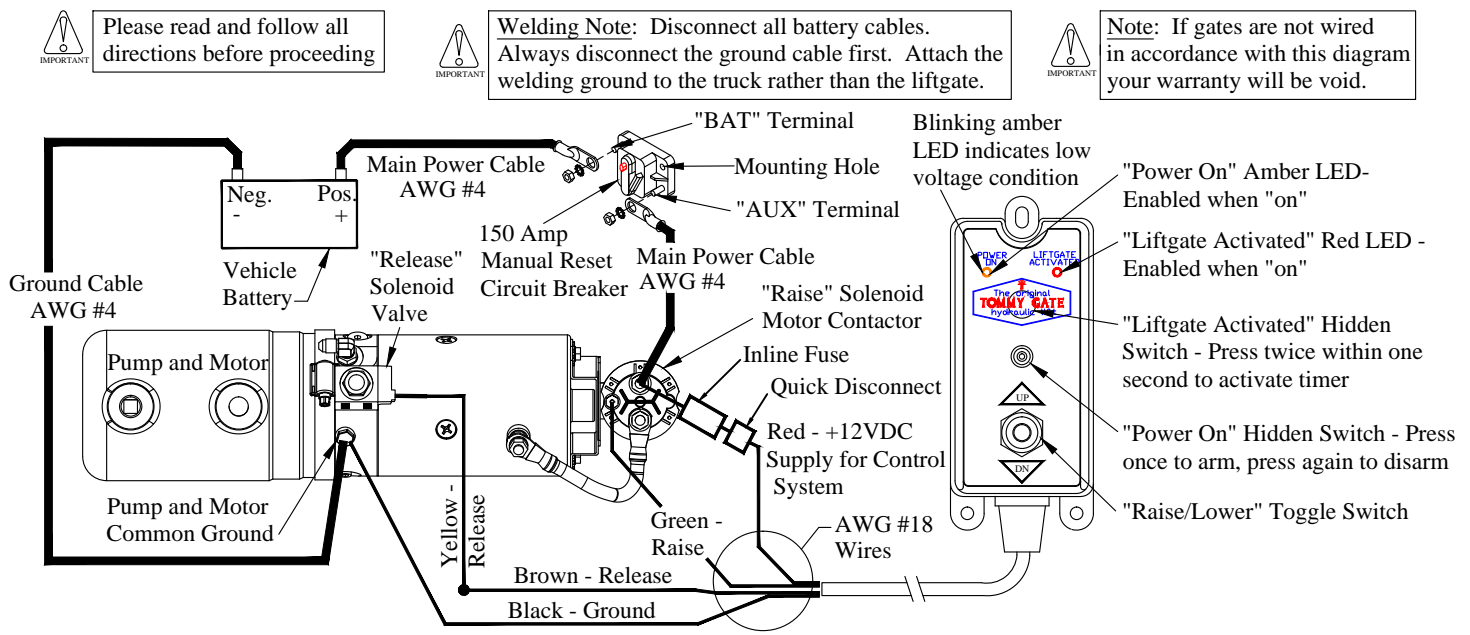
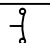

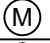

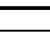
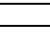
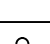

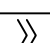
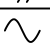

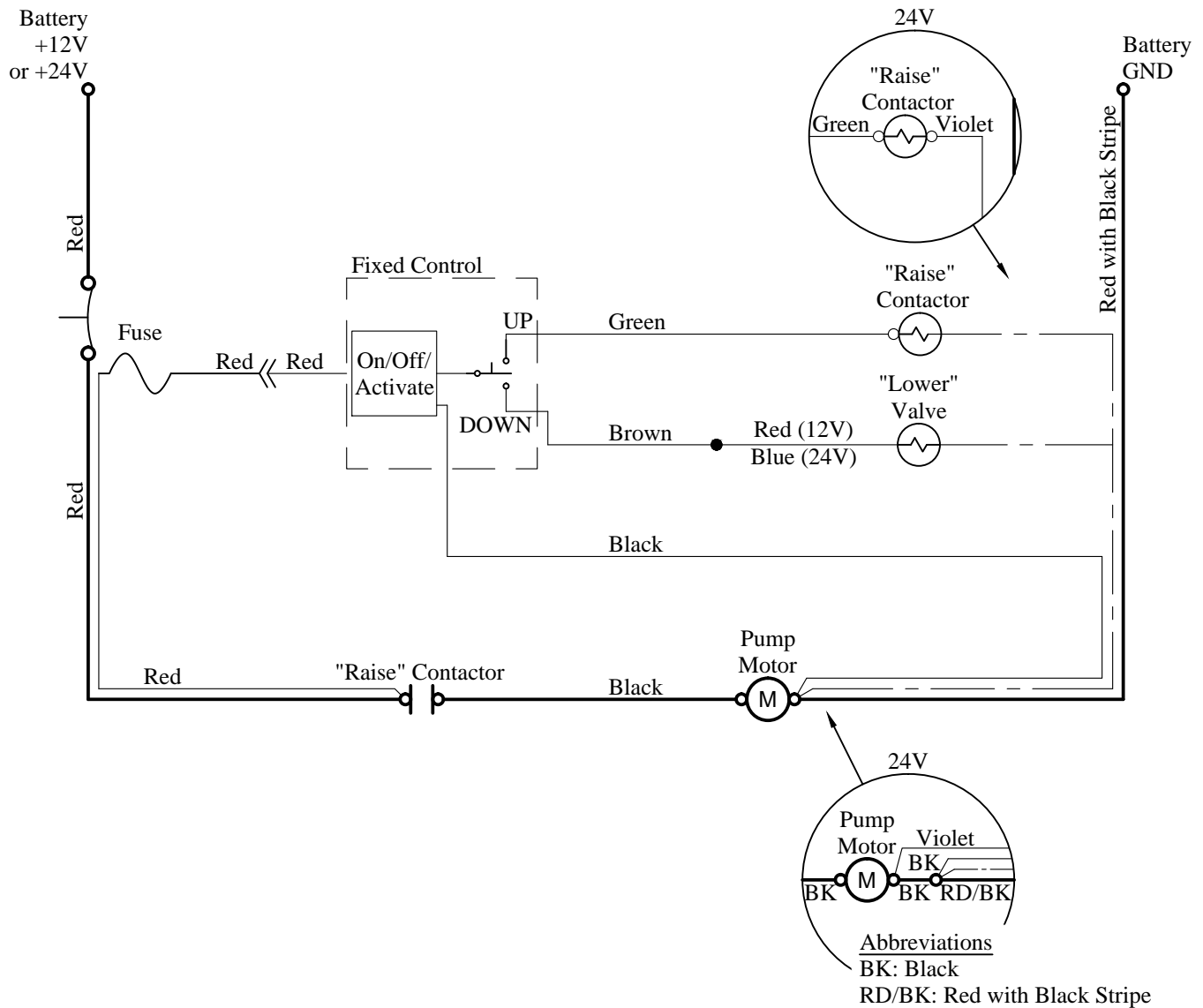


Figure 18: Wiring diagram.

Ladder Logic/Wiring Diagram

| Legend  |                                    |
|---|------------------------------------|
|  | Circuit Breaker                    |
|  | Contactor - Normally Open Contacts |
|  | Motor                              |
|  | Solenoid/Contactor - Coil          |
|  | Battery Cable                      |
|  | Wire                               |
|  | Grounded through pump body.        |
|  | Eyelet Terminal                    |
|  | Splice                             |
|  | Quick Disconnect                   |
|  | Fuse                               |



Installing the Lower Mount

**IMPORTANT:** Do not install a liftgate on a pickup without installing the lower mount.

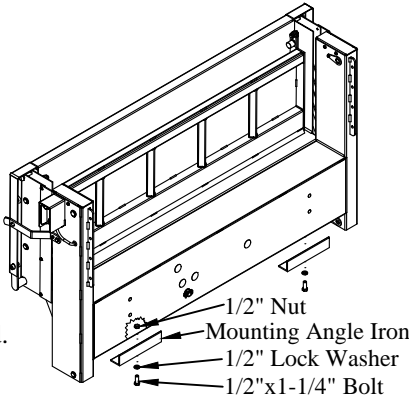


Figure 19: Mounting angle iron location.

- 1. Install** the two (2) mounting angle irons to the bottom of the liftgate (Figure 19).  
Select the holes in the liftgate that position the angle irons adjacent to the truck frame rails.

Note: Nuts have been welded to the inside of the liftgate to accept the bolts.

- 2. Bolt** the bracket plates to the truck frame (Figure 20). If possible, these may extend out to the mounting angle irons on the liftgate. Modification to the bracket plates may be required.

- 3. Clamp** the short angle irons to the bracket plates.  
The short angle irons should extend out to the mounting angle irons on the liftgate.

Note: The bracket plates can be omitted if the short angle irons can be bolted directly to the truck frame.

- 4. Tack** weld the bracket plates (see welding note at right), the short angle irons, and the mounting angle irons together.

**IMPORTANT** **WELDING NOTE!!! DISCONNECT ALL BATTERY CABLES. ALWAYS DISCONNECT THE GROUND CABLE FIRST. ATTACH THE WELDING GROUND TO THE TRUCK RATHER THAN THE LIFTGATE.**

- 5. Remove** the tacked lower brackets from the truck.

- 6. Weld** all seams with a heavy weld:
  - Where the bracket plates meet the short angle irons.
  - Where the short angle irons meet the mounting angle irons.

- 7. Bolt** the completed brackets back to the truck frame and bottom of the liftgate.

Note: The lower mount is of great importance because it adds additional support to the liftgate.

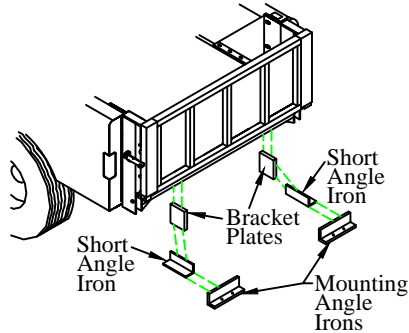


Figure 20: Lower bracket support.

Relocating the Rear Camera and Sensors

- 1. Install** the Tommy Gate Rear Camera and Sensor Bar Kit at this time, if using one.

Installing the Light Kit

- 1. Install** a light kit at this time, if needed.



Finishing the Liftgate Installation

1. **Install** the two (2) square plastic insert nuts for the license plate into the square holes in the box cover.
2. **Install** the license plate using the two (2) stainless steel screws provided.
3. **Install** the license plate light into the hole provided.
4. **Connect** the license plate light to the vehicle's wiring following the *Tommy Gate Recommended Electrical Wiring Guidelines*. The license plate light wire can be run through the strain relief in the back of the liftgate.

Note: Additional wire may need to be spliced into the license plate light circuit to reach the connection point.  
 Note: All electrical splices should be heat shrunk for corrosion protection.

5. **Install** the 3/8" round plastic plugs into the empty holes in the bottom of the uprights.
6. **See** the Owner's / Operator's Manual if drop away feature is desired.
7. **Install** the "Do's and Do Not's" decal in a highly visible area in the vehicle cab.  
 This decal is with the Owner's / Operator's Manual.
8. **Reinstall** the spare tire, if previously removed.
9. **Reattach** the exhaust hangers, if previously removed. Exhaust hanger modification may be required.

Testing the Operation of the Liftgate

**CAUTION:** Keep all foreign objects (body parts, tools, load weights, etc) out of the liftgate mainframe and away from pinch points at all times when operating the liftgate.

1. **Check** operation of the safety control for proper lift operation.  
 Be sure the control shuts off automatically after 90 seconds of not being used.
2. **Raise** and **Lower** the unloaded platform on a flat surface looking for proper operating speed and alignment with the ground.
3. **Load** the platform with the rated capacity and **Measure** the time necessary to raise the platform.  
 The platform should raise at roughly 2-3 inches per second.
4. **Examine** the platform for any downward creep.
5. **Time** the lowering operation with the platform still loaded.  
 The load should descend at roughly 7-9 inches per second.
6. **Remove** the load from the platform and **Examine** the liftgate and vehicle for any problems such as hydraulic oil leaks, loose wiring, etc.
7. **Reinstall** the box cover.
8. **Close** and **Latch** the platform.
9. **Lock** the padlock through the hole in the latch pin (Figure 21).
10. **Place** Owner's / Operator's Manual and padlock keys in the vehicle.

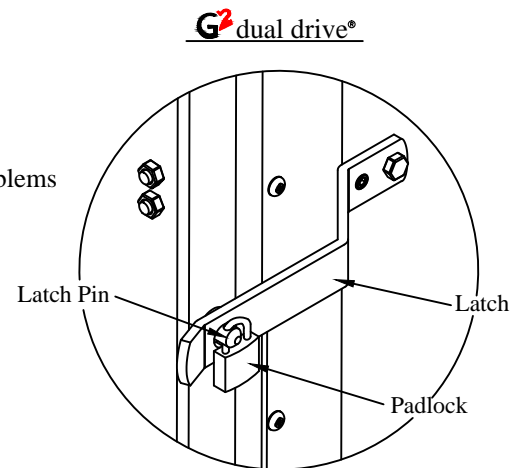


Figure 21: Padlock location.

### Painting the Liftgate (if needed)

Your Tommy Gate has been primed with a gray polyurethane and painted with a black semi-gloss polyurethane topcoat to protect it from the environment. No additional paint is required unless shipping or installation damage or outdoor storage exposure has deteriorated the Tommy Gate paint. **Tommy Gate will not be responsible for shipping or installation damage or outdoor storage exposure that has marred or otherwise deteriorated the Tommy Gate paint.**

If you need to refinish the liftgate you should do the following:

1. **Remove** any dirt, oil, grease, salt, or other contamination by washing with a mild detergent solution.
2. **Rinse** thoroughly with fresh water and allow to dry.
3. Lightly **Scuff Sand** the Tommy Gate topcoat.
4. **Sand** and **Spot Prime** any area of the Tommy Gate paint that shows signs of damage or deterioration.
5. **Mask** off all safety decals, cylinder shafts and vents before painting.

**WARNING:** Paint overspray on the cylinder shaft(s) or vent(s) will damage the cylinder seals and void warranty.

6. After proper cleaning and surface preparation, **Apply** desired finish coat per paint manufacturer's recommendations.
7. **Remove** the masking from the safety decals and cylinders.
8. **Check** to ensure that all decals are clean and legible. Additional decals are available from the factory, if needed.



## WIRE ROUTING

- (1) When routing wires, avoid heat (above 180°F), abrasion, vibration, metal edges, screws, and trim fasteners. If such routings are not possible, protective devices must be used. If wires must cross a metal edge, the edge should be covered with a protective shield and the wiring fastened within 3 inches on each side of the edge.
- (2) Grommets must be used where wires pass through holes in sheet metal, castings, and / or frame rails. Do not bend wires in a radius smaller than 10 times the wire diameter.
- (3) Routing wires into areas exposed to wheel wash should be avoided. If this cannot be avoided protective shields are required to protect the wires from stones, ice, salt and water damage. Provide a drip loop to prevent moisture from being conducted into switches, relays, circuit breakers, and fuses.
- (4) Wires should be supported every 18 inches with plastic zip ties or rubber-lined clips.
- (5) Wires must be routed to clear moving parts by at least 3 inches unless positively fastened or protected by a conduit. If wiring must be routed between two members where relative motion can occur, the wiring should be secured to each member, with enough wire slack to allow flexing without damage to the wire.
- (6) Maintain at least a 6 inch clearance from exhaust system components. If this is not possible, high temperature insulation and heat shields are required. Existing OEM heat shields, insulation, and wire shielding must be maintained.
- (7) Do not route or attach electrical wires to fuel lines. Route electrical wires at least 1-1/2 inches away from the engine.

## BATTERY, WIRE, TERMINALS, AND CONNECTORS

- (1) Wire attachments at the battery must be protected from tension loads so there is no undue strain on the battery terminals. Wires should be routed down rather than horizontally from the terminals with no sharp bends adjacent to the connections.
- (2) Battery power for your Tommy Gate should come directly from the battery through the supplied circuit breaker or fuse. The circuit breaker or fuse should be installed as close to the battery as possible.
- (3) Do not splice battery cables. If splicing is necessary, the most durable splice joint will be bare metal barrel crimped, flow-soldered and covered with adhesive lined heat shrink tubing. Strip the wire ends making sure that individual conductor strands are not damaged. Use only rosin core solder, proper crimping tools, and wire with a gauge at least equivalent to the circuit being lengthened. Do not use electrical tape.
- (4) Battery cable terminals will be bare metal barrel crimped or flow-soldered and covered with adhesive lined heat shrink tubing.
- (5) Use wire connectors with locking features such as positive locking, inertia locking, bolt together, and soft mold-over with locking external retainers.

## GENERAL

- (1) All frame contact areas must be wire brushed to bare metal, free of paint, dirt, and grease. Frame connections must be made using hardened flat washers under the bolt head and lock nuts. Corrosion preventive grease or compound is to be applied to the terminal area of the frame connection.
- (2) Frame cross members are not recommended as part of the ground return.
- (3) All circuit breakers and fuses should be located in one easily serviceable location with a means provided for identification of circuit function and current rating. Do not put circuit breakers or fuses in the vehicle cab.
- (4) Before welding to the chassis disconnect the battery. Also disconnect the power train, engine, valve, and transmission control modules.
- (5) Do not alter vehicle ignition, starting, and / or charging systems. Do not reroute engine compartment wiring.
- (6) Full copper circuitry and standardized polarity grounds are recommended.
- (7) Never increase the rating of a factory installed fuse or circuit breaker.
- (8) Disconnect the battery negative (ground) wire prior to any vehicle modification.

Following the above guidelines will provide you with years of trouble free service. Failing to incorporate the above guidelines will result in a voided warranty. Non-compliance with the guidelines above may result in a failure of electrical components, shutdown of engines, loss of backup brake systems, and the possibility of fire.