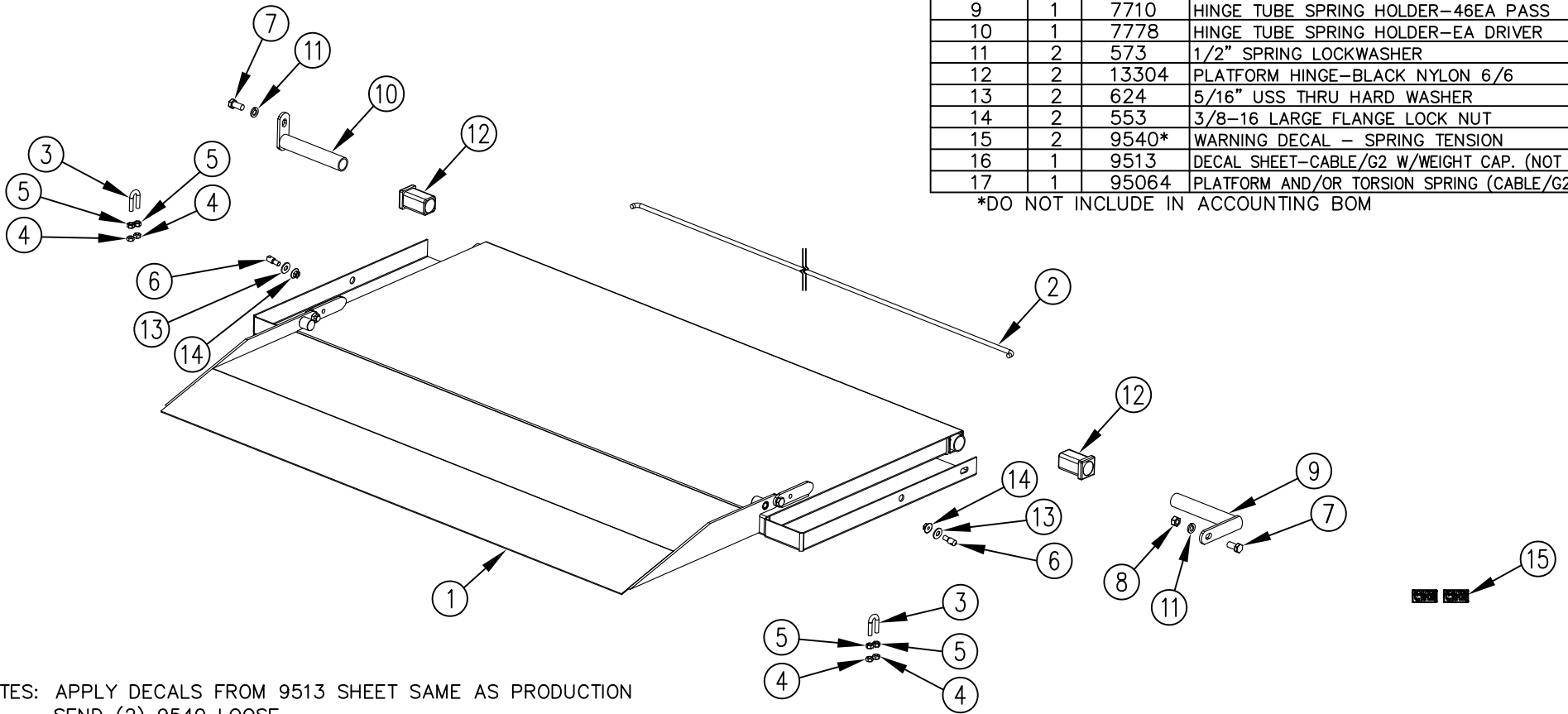

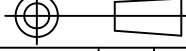


ITEM NO.	QTY.	PART NO.	DESCRIPTION
1	1	1579	60-42 26+11+7 TP PLATFORM COMPLETE
2	1	7869	.375" X 59.688 TORSION SPRING (60EA)
3	2	4727	3/8"U-BOLT(SHORT)x16x7/8x1-1/2
4	4	605	3/8-16 USS CROWN LOCK NUT
5	4	550	3/8-16 GR5 HEX NUT
6	2	4714	PLATFORM LATCH PIN (G2)
7	2	587	1/2-13x1" HHCS GR5
8	1	551	1/2-13 GR5 HEX NUT (ZINC)
9	1	7710	HINGE TUBE SPRING HOLDER-46EA PASS
10	1	7778	HINGE TUBE SPRING HOLDER-EA DRIVER
11	2	573	1/2" SPRING LOCKWASHER
12	2	13304	PLATFORM HINGE-BLACK NYLON 6/6
13	2	624	5/16" USS THRU HARD WASHER
14	2	553	3/8-16 LARGE FLANGE LOCK NUT
15	2	9540*	WARNING DECAL - SPRING TENSION
16	1	9513	DECAL SHEET-CABLE/G2 W/WEIGHT CAP. (NOT SHOWN)
17	1	95064	PLATFORM AND/OR TORSION SPRING (CABLE/G2) INSTR.

\*DO NOT INCLUDE IN ACCOUNTING BOM



NOTES: APPLY DECALS FROM 9513 SHEET SAME AS PRODUCTION  
SEND (2) 9540 LOOSE

REV.	DATE	CHANGE RECORD	BY	APPVD	ECN	DRAFT 2"	ANGULAR ±1°	SALES CATEGORY	PRODUCT LINE	SCALE 1:14	FIN. WT.	PART NO. 4868		
D.1	8/17/16	UPDATED TITLE BLOCK	AAS			THIRD ANGLE PROJECTION		FILENAME:		WOODBINE MFG. CO. BUS BROWN DRIVE WOODBINE, IOWA 51579  THE INFORMATION HERE IS CONFIDENTIAL AND MUST NOT BE USED IN ANYWAY DETRIMENTAL TO THE INTEREST OF WOODBINE MFG.				
D	3/20/14	REPLACED 7709 W/ 7710; REPLACED 2020 W/ INDIVIDUAL PARTS; ADDED (2) 9540, (1) 9513, (1) 95064 & NOTES	JCB		1063	 DECIMAL    2PLC    3PLC MACHINE SAW, DRILL    .030    .015 SHEAR, PUNCH FORM    .060    .030 TORCH, WELDING ROUGH CAST    .090    .060	SYMBOLY PER ANSI Y14.5		NOTES:					
C	10/11/13	ADDED (2) 13304, REMOVED ACCOUNTING NOTE	GDB		979			DRAWN BY: JCB						
B	3/15/10	REMOVED PN8084; ADDED PN7869, 587, 551, 7709, 7778, 573	MTC		274			DRAWN/DATE: 7/25/06						
A	7/25/06	DRAWN IN AUTOCAD	JCB	KGJ				APPVD/DATE					TITLE: G2 60 31+11+7 TP REPLACEMENT PLATFORM	