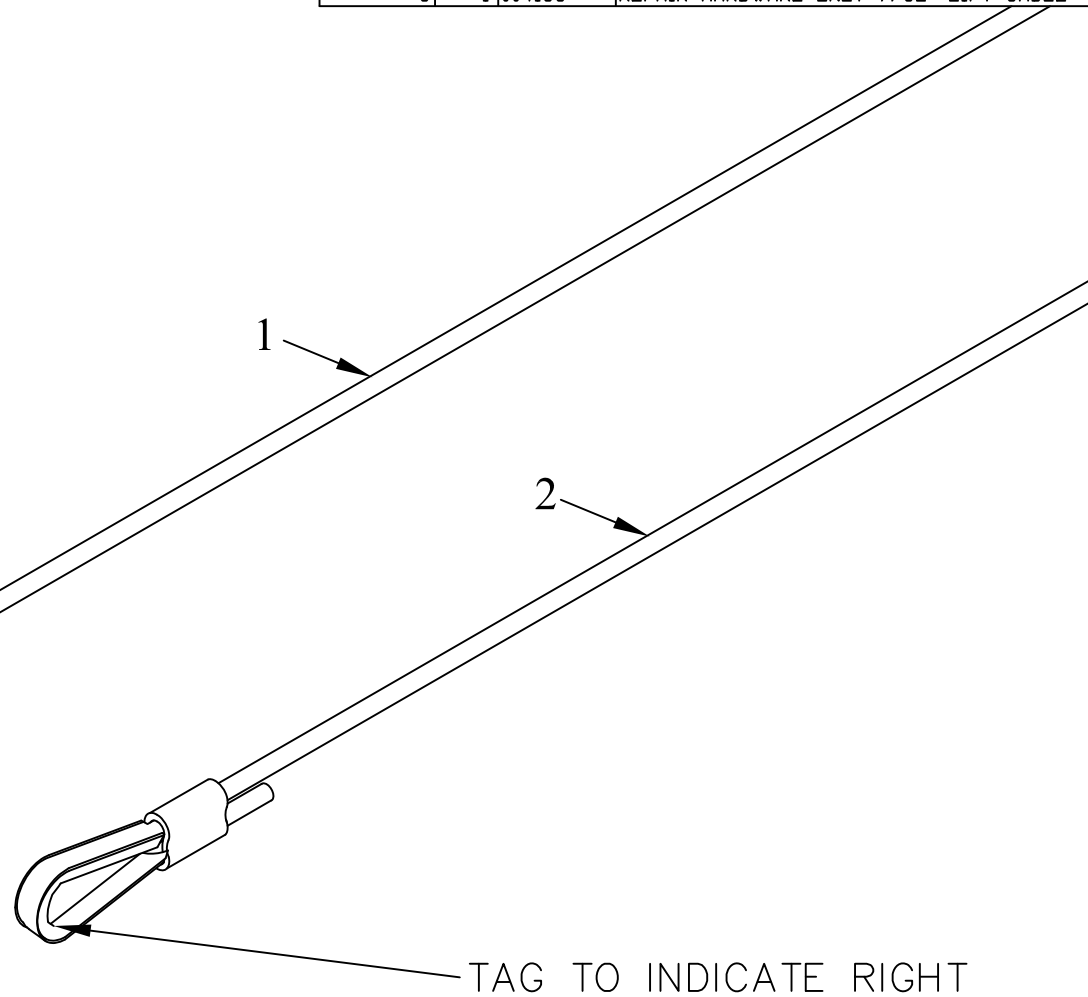
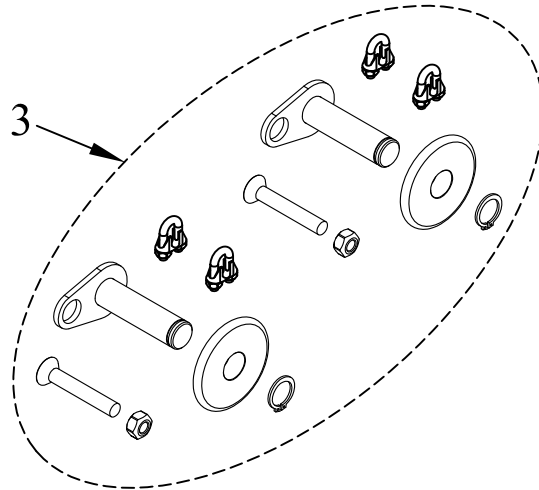


ITEM NO.	QTY.	PART NO.	DESCRIPTION
1	1	004609	7/32"x17.88FT CABLE ASY (64-1300)
2	1	004602	7/32"x12.42FT CABLE ASY(40' SHORT)
3	1	004163	REPAIR HARDWARE ONLY-7/32" LIFT CABLE



TAG TO INDICATE LEFT

TAG TO INDICATE RIGHT

REV.	DATE	CHANGE RECORD	BY	APPVD	ECN	DRAFT	ANGULAR	SALES CATEGORY	PRODUCT LINE	SCALE	FIN. WT.	PART NO.	
						THIRD ANGLE PROJECTION		FILENAME:	WOODBINE MFG. CO. BUS BROWN DRIVE WOODBINE, IOWA 51579				
								SYMBOLY PER ANSI Y14.5	NOTES:				
						DECIMAL	2PLC	3PLC	DRAWN BY.	712-647-2050			
						MACHINE SAW, DRILL	.030	.015	LSB	THE INFORMATION HERE IS CONFIDENTIAL AND MUST NOT BE USED IN ANYWAY DETRIMENTAL TO THE INTEREST OF WOODBINE MFG.			
C	2/23/10	UPDATED GRAPHIC FOR 4163 AND CHANGED QTY TO ONE (1)	MTC		270	SHEAR, PUNCH FORM	.060	.030	DRAWN/DATE	SET OF 7/32"(60") REPAIR CABLES			
						TORCH, WELDING ROUGH CAST	.090	.060	1/27/09				
B	2/3/10	REMOVED (2) 4769 (4) 4741; ADDED (2) 4163	JCB		262				APPVD/DATE				
									TITLE				
						DRAFT 2"	ANGULAR ±1°			N		3123	