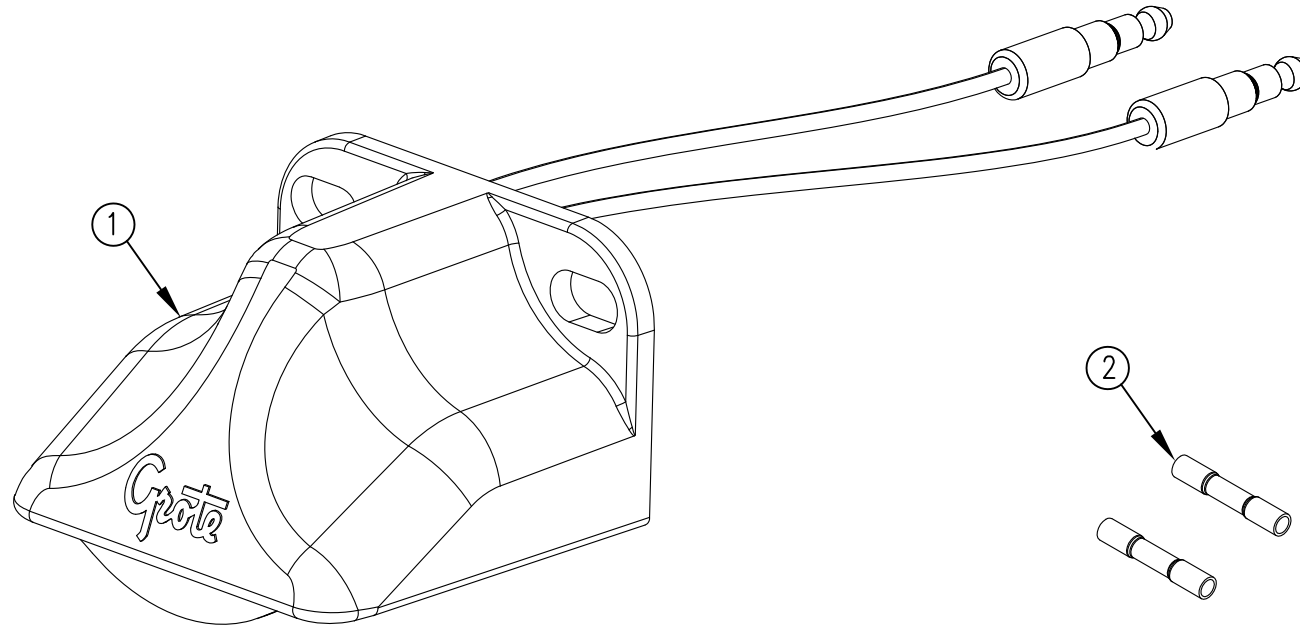
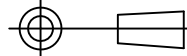


ITEM NO.	QTY.	PART NO.	DESCRIPTION
1	1	013715	LICENSE PLATE LIGHT
2	2	009089	16-14 HEAT SHRINK BUTT CONNECTOR



REV.	DATE	CHANGE RECORD	BY	APPVD	ECN	DRAFT	ANGULAR	SALES CATEGORY	PRODUCT LINE	SCALE	FIN. WT.	PART NO.
A.1	11/7/14	UPDATED GRAPHIC TO NEW GROTE PART	AAS			2'	±1°			1:1		14042
A	7/29/14	RELEASED TO PRODUCTION	JCB		1075							

THIRD ANGLE PROJECTION



DECIMAL 2PLC 3PLC

MACHINE SAW, DRILL .030 .015

SHEAR, PUNCH FORM .060 .030

TORCH, WELDING ROUGH CAST .090 .060

FILENAME:

SYMBOLY PER ANSI Y14.5

DRAWN BY. JCB

DRAWN/DATE 7/29/14

APPVD/DATE

TITLE

REPLACEMENT LICENSE PLATE LIGHT (TUCKUNDER)

NOTES:

WOODBINE MFG. CO.
BUS BROWN DRIVE
WOODBINE, IOWA 51579

712-647-2050



THE INFORMATION HERE IS CONFIDENTIAL AND MUST NOT BE USED IN ANYWAY DETRIMENTAL TO THE INTEREST OF WOODBINE MFG.