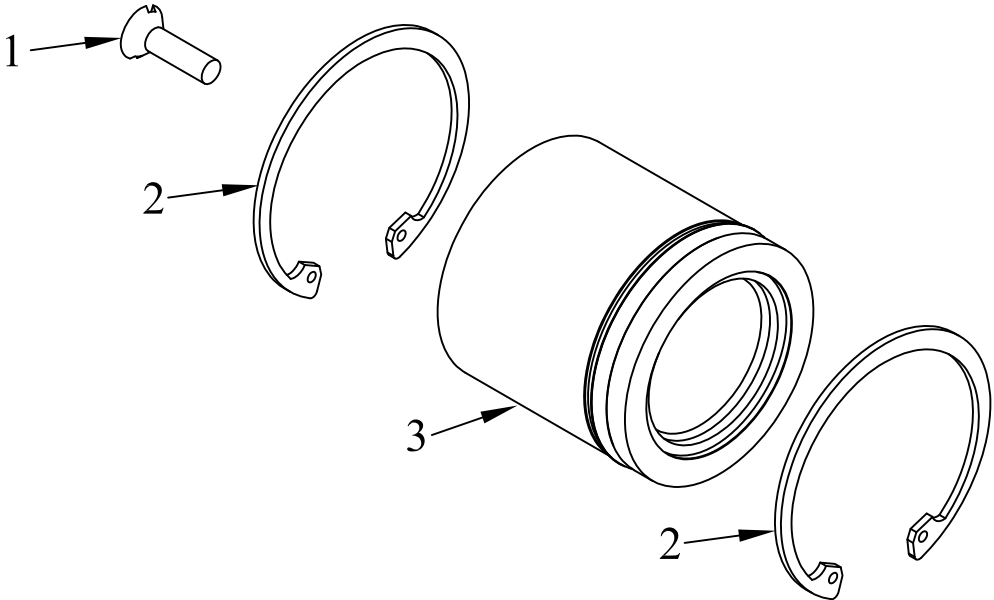


| ITEM NO. | QTY. | PART NO. | DESCRIPTION |
|----------|------|----------|-----------------------------------|
| 1 | 1 | 1272 | 1/4-20x1" FHHD SHCS |
| 2 | 2 | 1407 | 2.50" INTERNAL SNAP RING(5008-20) |
| 3 | 1 | 1778 | 650 GUIDE BUSHING w/ORINGS |



| | | | | THIRD ANGLE PROJECTION | | | FILENAME: | | WOODBINE MFG. CO. | | | | | | | | | | | | | | | |
|---------------------------|------|---------------|----|--------------------------------------------------------------------------------------------------------------------------------------------------------------------------------------------------------------------------------------------------------------------------------------------------------------------------------------|-----|----------|---------------------------------------------|-------------------|---------------------------------------------------------------------------------------------------------------------------------|--------------------|----------|---------------|-------------------|------|------|---------------------------|------|------|---------------|--|--------|--|----------------------|--|
| | | | | | | | SYMBOLY PER ANSI Y14.5 | | BUS BROWN DRIVE | | | | | | | | | | | | | | | |
| | | | | <table border="1"> <thead> <tr> <th>DECIMAL</th> <th>2PLC</th> <th>3PLC</th> </tr> </thead> <tbody> <tr> <td>MACHINE SAW, DRILL</td> <td>.030</td> <td>.015</td> </tr> <tr> <td>SHEAR, PUNCH FORM</td> <td>.060</td> <td>.030</td> </tr> <tr> <td>TORCH, WELDING ROUGH CAST</td> <td>.090</td> <td>.060</td> </tr> </tbody> </table> | | | DECIMAL | 2PLC | 3PLC | MACHINE SAW, DRILL | .030 | .015 | SHEAR, PUNCH FORM | .060 | .030 | TORCH, WELDING ROUGH CAST | .090 | .060 | DRAWN BY. DJR | | NOTES: | | WOODBINE, IOWA 51579 | |
| DECIMAL | 2PLC | 3PLC | | | | | | | | | | | | | | | | | | | | | | |
| MACHINE SAW, DRILL | .030 | .015 | | | | | | | | | | | | | | | | | | | | | | |
| SHEAR, PUNCH FORM | .060 | .030 | | | | | | | | | | | | | | | | | | | | | | |
| TORCH, WELDING ROUGH CAST | .090 | .060 | | | | | | | | | | | | | | | | | | | | | | |
| | | | | | | | DRAWN/DATE 7/19/05 | | 712-647-2050 | | | | | | | | | | | | | | | |
| | | | | | | | APPVD/DATE | | | | | | | | | | | | | | | | | |
| | | | | | | | TITLE | | <small>THE INFORMATION HERE IS CONFIDENTIAL AND MUST NOT BE USED IN ANYWAY DETRIMENTAL TO THE INTEREST OF WOODBINE MFG.</small> | | | | | | | | | | | | | | | |
| | | | | | | | REPLACEMENT GUIDE BUSHING & O-RING KIT(650) | | | | | | | | | | | | | | | | | |
| REV. | DATE | CHANGE RECORD | BY | APPVD | ECN | DRAFT 2' | ANGULAR ±1' | SALES CATEGORY 45 | PRODUCT LINE 3911 | SCALE N | FIN. WT. | PART NO. 2481 | | | | | | | | | | | | |