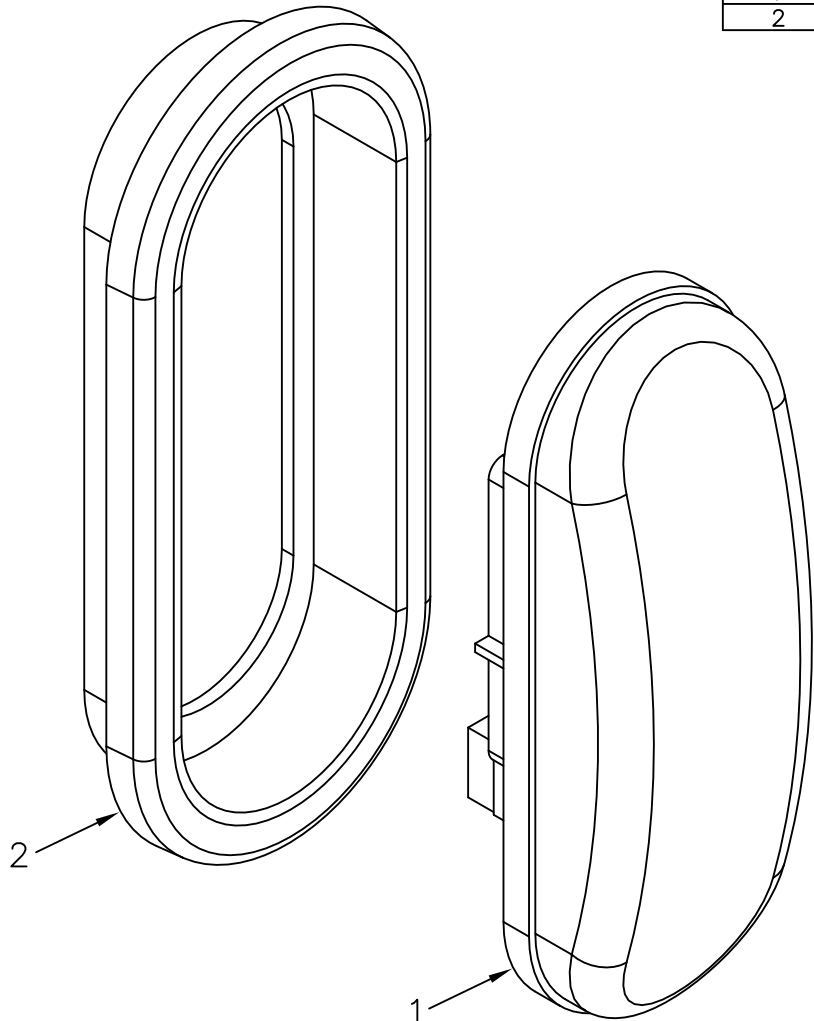
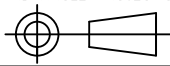



ITEM NO.	QTY.	PART NO.	DESCRIPTION
1	1	004044	RAIL BACKUP LIGHT-24-VOLT
2	1	004041	BLACK GROMMET - ECONO 60



						THIRD ANGLE PROJECTION 	DRAWN BY GDB	NOTES: _____ _____ _____	WOODBINE MFG. CO. BUS BROWN DRIVE WOODBINE, IOWA 51579 	
					UNLESS OTHERWISE SPECIFIED	DRAWN/DATE 7/16/19	APPVD/DATE -			TITLE REPLACEMENT OVAL CLEAR LED LIGHT w/ GROMMET (24V)
					DIMENSIONS ARE IN INCHES TOLERANCES: FRACTIONAL ±1/16 ANGULAR MACH ±1° BEND ±1° TWO PLACE DECIMAL ±0.030 THREE PLACE DECIMAL ±0.010	DO NOT SCALE DRAWING				
A	7/16/19	RELEASED TO PRODUCTION	GDB	2294						
REV.	DATE	CHANGE RECORD	BY	APPVD	ECN	THE INFORMATION HERE IS CONFIDENTIAL AND MUST NOT BE USED IN ANY WAY DETRIMENTAL TO THE INTEREST OF WOODBINE MFG.		SCALE NA	WEIGHT -	PART NO. 016182