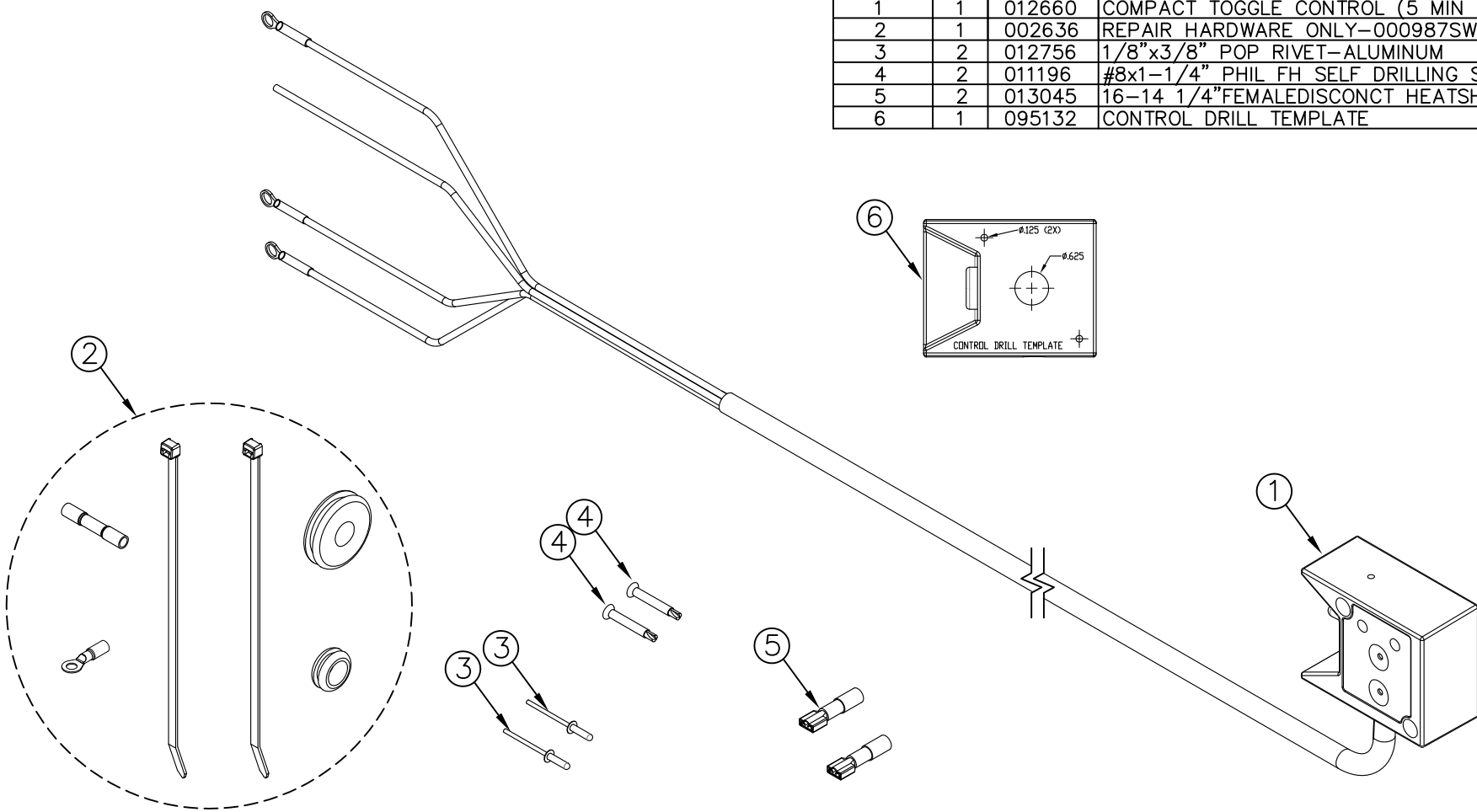


ITEM NO.	QTY.	PART NO.	DESCRIPTION
1	1	012660	COMPACT TOGGLE CONTROL (5 MIN TIMER)
2	1	002636	REPAIR HARDWARE ONLY-000987SWITCH
3	2	012756	1/8"x3/8" POP RIVET-ALUMINUM
4	2	011196	#8x1-1/4" PHIL FH SELF DRILLING SCREW ZP
5	2	013045	16-14 1/4" FEMALE DISCONCT HEATSHRINK TERM
6	1	095132	CONTROL DRILL TEMPLATE



NOTE: TO REPLACE A COMPACT TOGGLE CONTROL IN THE FIELD (TUCKUNDER OR RAIL SERIES)

REV.	DATE	CHANGE RECORD	BY	APPVD	ECN	THIRD ANGLE PROJECTION			FILENAME:		SYMBOLY PER ANSI Y14.5	NOTES:	WOODBINE MFG. CO. BUS BROWN DRIVE WOODBINE, IOWA 51579
						DECIMAL	2PLC	3PLC	DRAWN BY.	DRAWN/DATE			
C	1/30/18	ADDED (2) 13045; UPDATED NOTE	AAS		2002	MACHINE SAW, DRILL	.030	.015		GDB			<p>THE INFORMATION HERE IS CONFIDENTIAL AND MUST NOT BE USED IN ANYWAY DETRIMENTAL TO THE INTEREST OF WOODBINE MFG.</p>
B	11/18/17	CHANGED ITEM #3 DESCRIPTION FROM STAINLESS TO ALUMINUM	MTC		1977	SHEAR, PUNCH FORM	.060	.030		2/19/14			
A	2/19/14	RELEASED TO PRODUCTION	GDB		1044	TORCH, WELDING ROUGH CAST	.090	.060					
						DRAFT 2'		ANGULAR ±1'	SALES CATEGORY	PRODUCT LINE	SCALE 1:3	FIN. WT. 1.2	