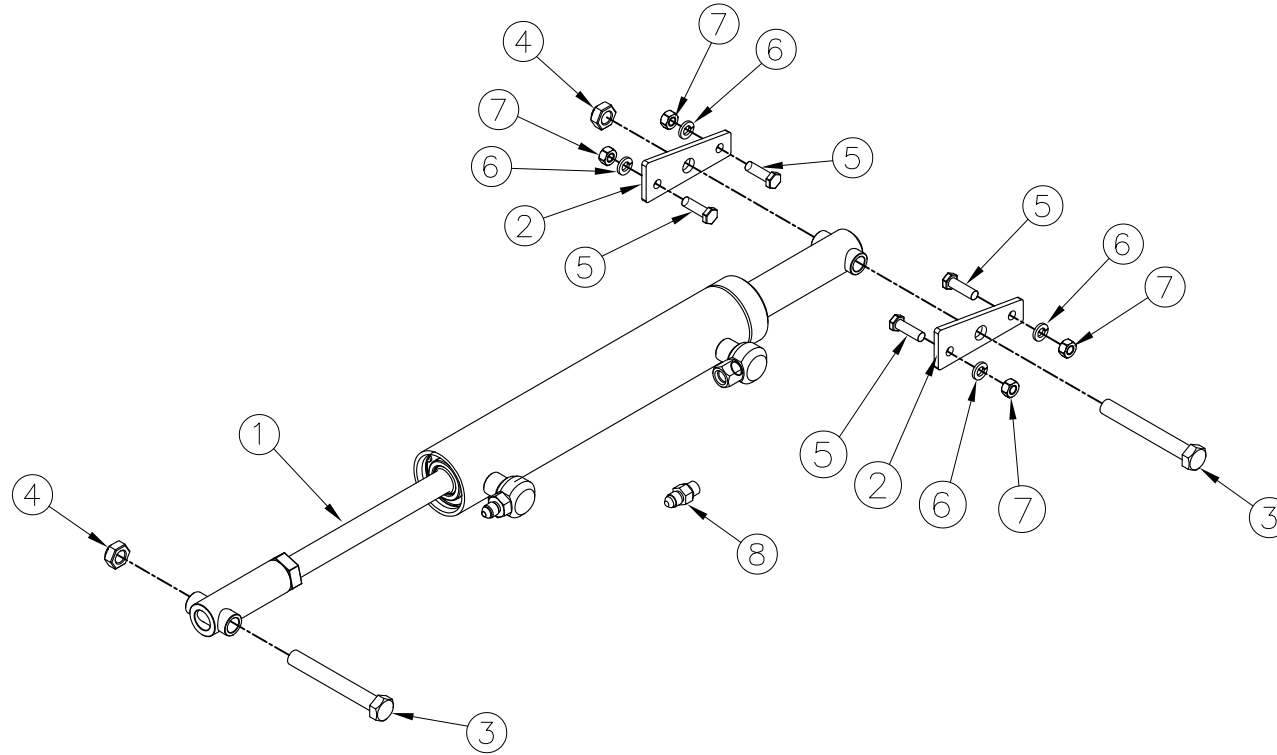


ITEM NO.	QTY.	PART NO.	DESCRIPTION
1	1	010480	CANTILEVER FOLD CYLINDER W/ ADJUSTER
2	2	010027	PLATFORM PLATE
3	2	010494	1/2"-13 X 3-3/4" HHCS GR 8, PLATED
4	2	000588	1/2"-13 CROWN LOCK NUT
5	4	010502	5/16"-18 X 1" HHCS, GR 5, ZP
6	4	000584	5/16" SPRING LOCK WASHER, ZP
7	4	000554	5/16"-18 HEX NUT, ZP
8	1	010293	04MORB-04MJIC ADAPTER
9	1	095152	CANTILEVER FOLD CYLINDER REPAIR OR REPLACEMENT INSTR.



					THIRD ANGLE PROJECTION			FILENAME:		WOODBINE MFG. CO. BUS BROWN DRIVE WOODBINE, IOWA 51579			
								SYMBOLY PER ANSI Y14.5		NOTES:			
					DECIMAL	2PLC	3PLC	DRAWN BY.		712-647-2050			
C	1/16/15	ADDED 95152	JCB	1300	MACHINE SAW, DRILL	.030	.015	LSB		<small>THE INFORMATION HERE IS CONFIDENTIAL AND MUST NOT BE USED IN ANYWAY DETRIMENTAL TO THE INTEREST OF WOODBINE MFG.</small>			
B	4/27/12	ADDED (1) 10293	JCB	653	SHEAR, PUNCH FORM	.060	.030	DRAWN/DATE 7/5/11					
A	7/5/11	RELEASED TO PRODUCTION	JCB	450	TORCH, WELDING ROUGH CAST	.090	.060	APPVD/DATE		TITLE REPLACEMENT FOLD CYLINDER (CANTILEVER)			
REV.	DATE	CHANGE RECORD	BY	APPVD	ECN	DRAFT 2'	ANGULAR ±1'	SALES CATEGORY	PRODUCT LINE	SCALE 1:6	FIN. WT.	PART NO. 11261	