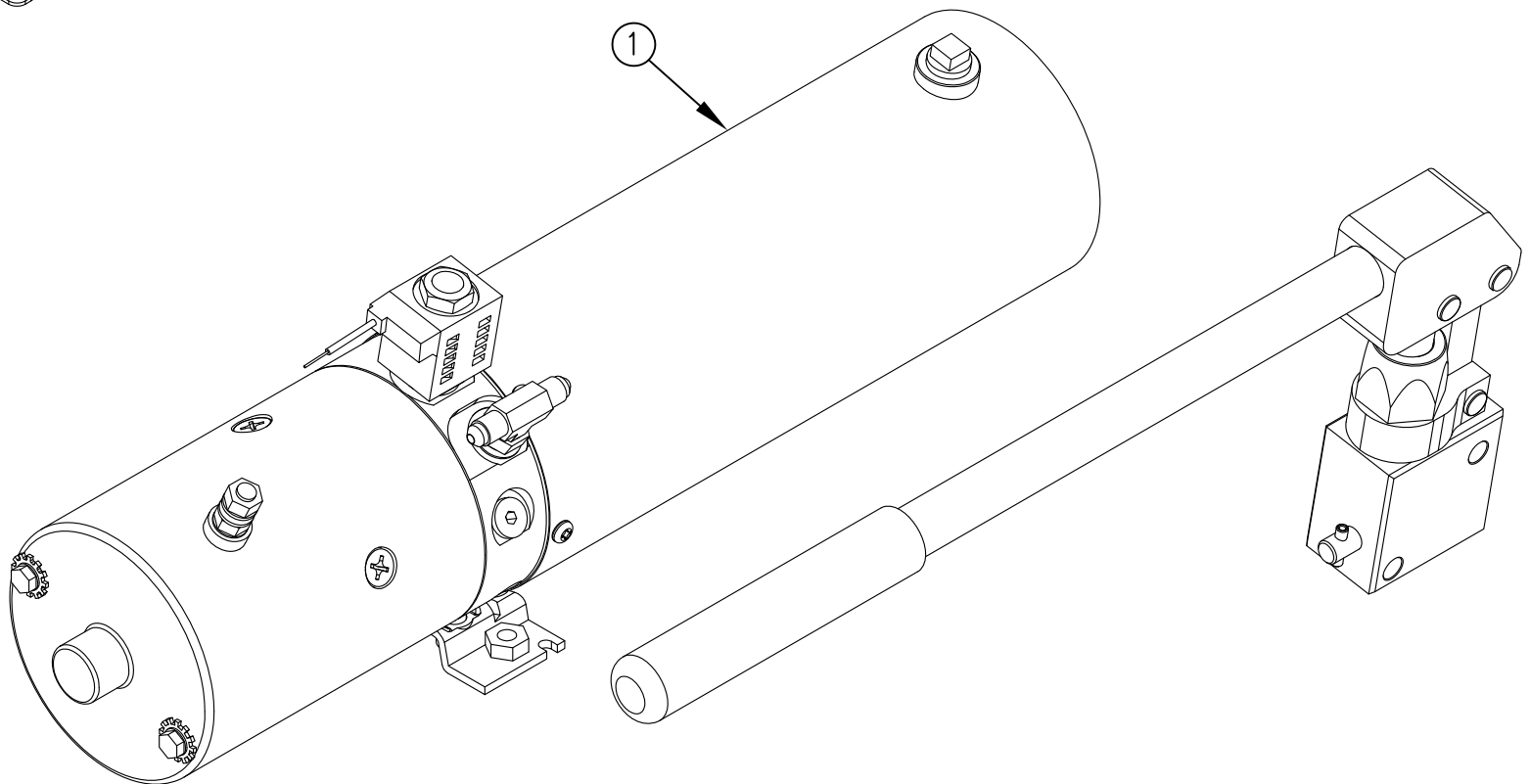
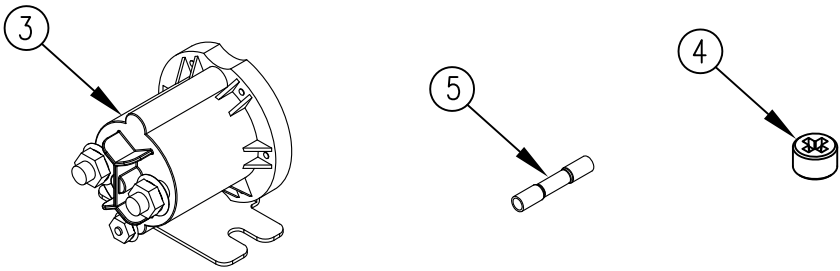


ITEM NO.	QTY.	PART NO.	DESCRIPTION
1	1	011029	RAIL (N) 1600LB P&M 3QT (2600 PSI) W/HAND PUMP
2	0.625 GAL.	009034	HYDRAULIC OIL
3	1	004321*	MONARCH 3-POST SOLENOID
4	1	004403*	VENT PLUG
5	1	009089	16-14 HEAT SHRINK BUTT CONNECTOR
6	1	095048	REPLACEMENT POWER UNIT INSTALLATION INSTR.

\* ACCOUNTING DO NOT USE FOR B.O.M.



				THIRD ANGLE PROJECTION			FILENAME:		WOODBINE MFG. CO.															
							SYMBOLY PER ANSI Y14.5		BUS BROWN DRIVE															
				<table border="1"> <tr> <th>DECIMAL</th> <th>2PLC</th> <th>3PLC</th> </tr> <tr> <td>MACHINE SAW, DRILL</td> <td>.030</td> <td>.015</td> </tr> <tr> <td>SHEAR, PUNCH FORM</td> <td>.060</td> <td>.030</td> </tr> <tr> <td>TORCH, WELDING ROUGH CAST</td> <td>.090</td> <td>.060</td> </tr> </table>			DECIMAL	2PLC	3PLC	MACHINE SAW, DRILL	.030	.015	SHEAR, PUNCH FORM	.060	.030	TORCH, WELDING ROUGH CAST	.090	.060	DRAWN BY: MTC		NOTES:		WOODBINE, IOWA 51579	
DECIMAL	2PLC	3PLC																						
MACHINE SAW, DRILL	.030	.015																						
SHEAR, PUNCH FORM	.060	.030																						
TORCH, WELDING ROUGH CAST	.090	.060																						
				DRAWN/DATE: 2/20/13		712-647-2050																		
A 2/20/13				RELEASED TO PRODUCTION			MTC		845															
REV. DATE				CHANGE RECORD			BY APPVD ECN		TITLE															
				DRAFT 2'			ANGULAR ±1'		SCALE 1:3															
									FIN. WT. PART NO. 13267															

THE INFORMATION HERE IS CONFIDENTIAL AND MUST NOT BE USED IN ANYWAY DETRIMENTAL TO THE INTEREST OF WOODBINE MFG.