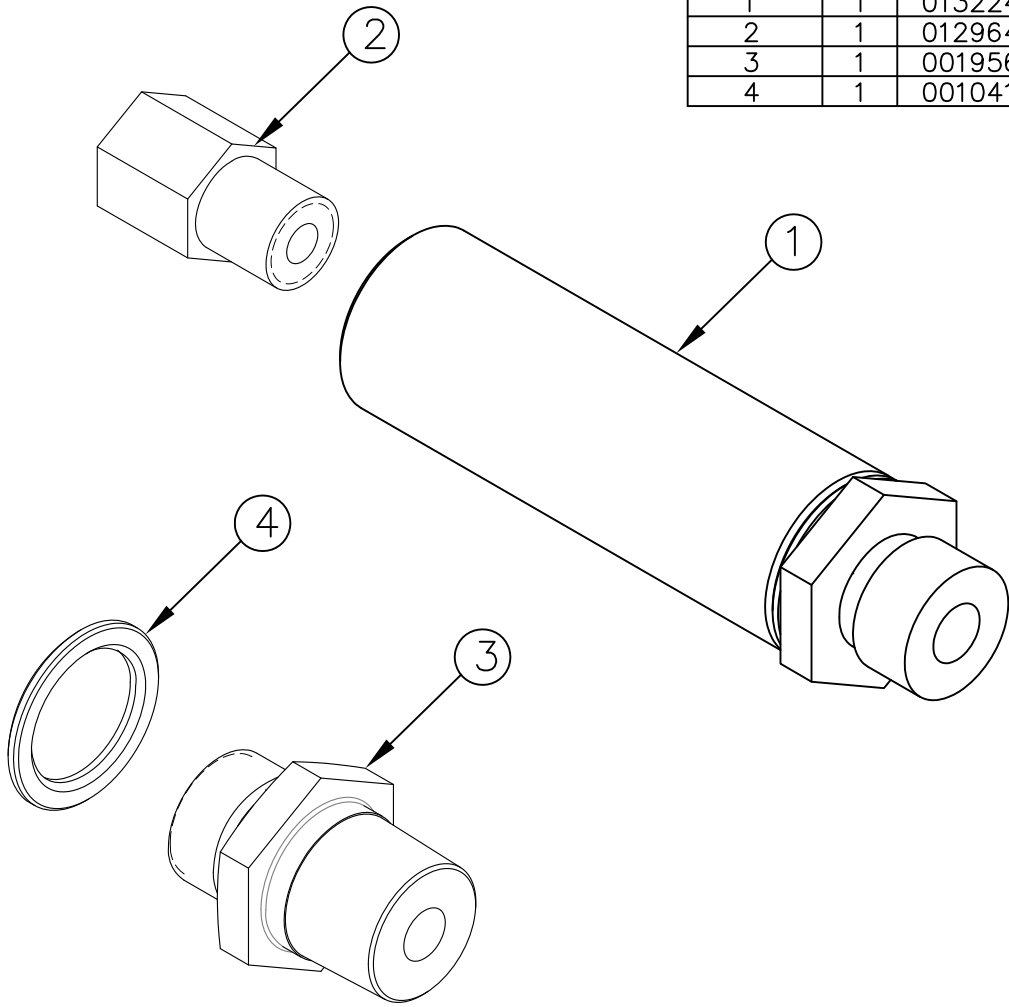


ITEM NO.	QTY.	PART NO.	DESCRIPTION
1	1	013224	FLOW CONTROL COM(#6 MORB x #4FORB x.078)
2	1	012964	#4 MORB TO #4 FEMALE NPT ADAPTOR
3	1	001956	3/8" FLOW CONTROL ADAPTER
4	1	001041	.56"x.88" ALUMINUM WASHER



				THIRD ANGLE PROJECTION			FILENAME:		WOODBINE MFG. CO.															
							SYMBOLY PER ANSI Y14.5		BUS BROWN DRIVE															
				<table border="1"> <thead> <tr> <th>DECIMAL</th> <th>2PLC</th> <th>3PLC</th> </tr> </thead> <tbody> <tr> <td>MACHINE SAW, DRILL</td> <td>.030</td> <td>.015</td> </tr> <tr> <td>SHEAR, PUNCH FORM</td> <td>.060</td> <td>.030</td> </tr> <tr> <td>TORCH, WELDING ROUGH CAST</td> <td>.090</td> <td>.060</td> </tr> </tbody> </table>			DECIMAL	2PLC	3PLC	MACHINE SAW, DRILL	.030	.015	SHEAR, PUNCH FORM	.060	.030	TORCH, WELDING ROUGH CAST	.090	.060	DRAWN BY. GDB		NOTES:		WOODBINE, IOWA 51579	
DECIMAL	2PLC	3PLC																						
MACHINE SAW, DRILL	.030	.015																						
SHEAR, PUNCH FORM	.060	.030																						
TORCH, WELDING ROUGH CAST	.090	.060																						
							DRAWN/DATE 11/12/13		712-647-2050															
							APPVD/DATE																	
A 11/12/13				RELEASED TO PRODUCTION			TITLE		<small>THE INFORMATION HERE IS CONFIDENTIAL AND MUST NOT BE USED IN ANYWAY DETRIMENTAL TO THE INTEREST OF WOODBINE MFG.</small>															
CHANGE RECORD				BY APPVD ECN			SALES CATEGORY		REPLACEMENT FLOW CONTROL (#6 MORB X #4 FORB X 0.078) (RAIL)															
				DRAFT 2'			ANGULAR ±1'		<table border="1"> <thead> <tr> <th>PRODUCT LINE</th> <th>SCALE</th> <th>FIN. WT.</th> <th>PART NO.</th> </tr> </thead> <tbody> <tr> <td></td> <td>N</td> <td>0.4</td> <td>012966</td> </tr> </tbody> </table>		PRODUCT LINE	SCALE	FIN. WT.	PART NO.		N	0.4	012966						
PRODUCT LINE	SCALE	FIN. WT.	PART NO.																					
	N	0.4	012966																					