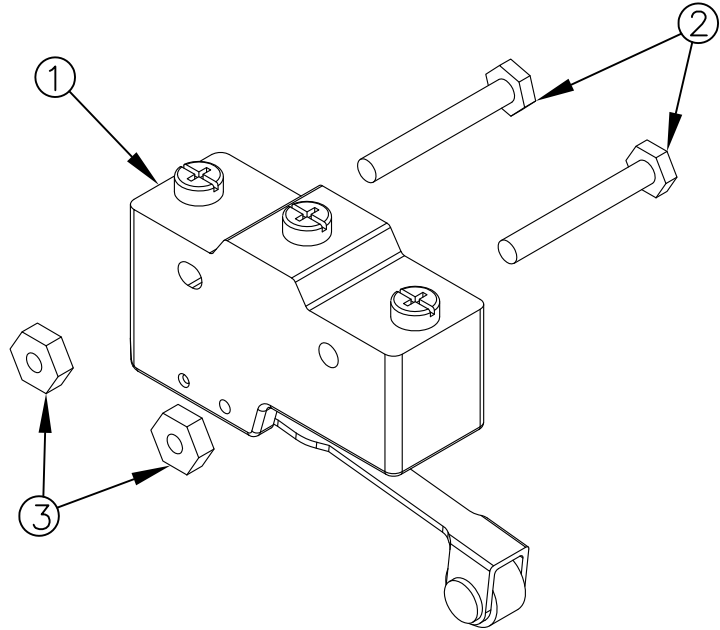


ITEM NO.	QTY.	PART NO.	DESCRIPTION
1	1	007676	SAFETY SWITCH
2	2	001492	6-32x1" HEX BOLT
3	2	009863	6-32 HEX NUT



				THIRD ANGLE PROJECTION		FILENAME: E:\KITS(Repair Parts)\Railgate\000930.dwg		WOODBINE MFG. CO. BUS BROWN DRIVE WOODBINE, IOWA 51579	
						SYMBOLY PER ANSI Y14.5		NOTES:	
				DECIMAL 2PLC 3PLC		DRAWN BY. JCB		712-647-2050	
				MACHINE SAW, DRILL .030 .015		DRAWN/DATE 7/15/06		THE INFORMATION HERE IS CONFIDENTIAL AND MUST NOT BE USED IN ANYWAY DETRIMENTAL TO THE INTEREST OF WOODBINE MFG.	
				SHEAR, PUNCH FORM .060 .030		APPVD/DATE 7/15/06		TITLE REPLACEMENT RAIL SAFETY SWITCH	
				TORCH, WELDING ROUGH CAST .090 .060		SALES CATEGORY 45		PRODUCT LINE 8950	
B 7/15/06 UPDATED BOM JCB KGJ				DRAFT 2"		ANGULAR ±1'		SCALE 1:1	
REV. DATE CHANGE RECORD BY APPVD ECN								FIN. WT. 0.08	
								PART NO. 930	