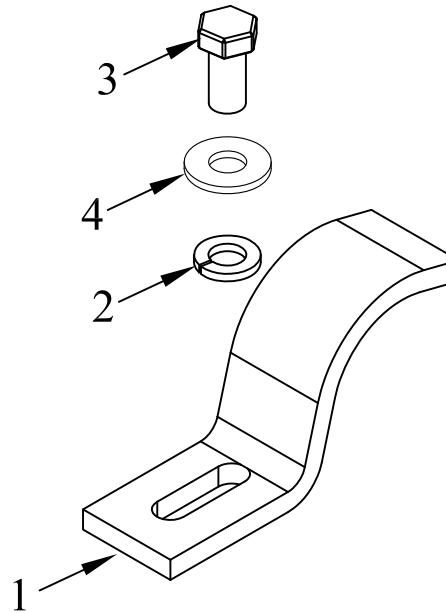
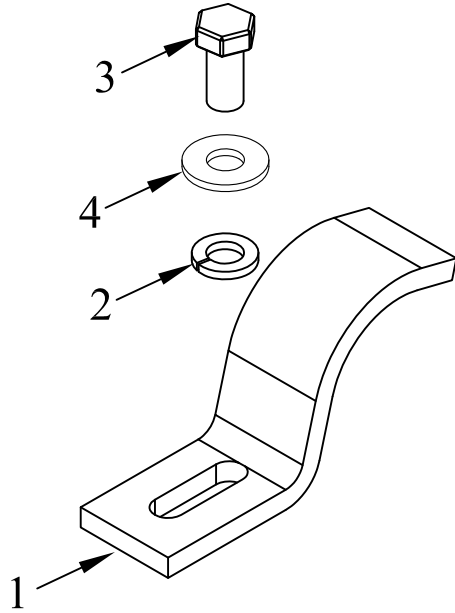


ITEM NO.	QTY.	PART NO.	DESCRIPTION
1	2	006940	.25x1.25x5.25 CYL CLAMP(1.75-2)
2	2	000572	3/8" SPRING LOCK WASHER
3	2	000509	3/8-16x1"HHCS GR5
4	2	000575	3/8 USS FLAT WASHER



			THIRD ANGLE PROJECTION			FILENAME:		WOODBINE MFG. CO.					
						SYMBOLY PER ANSI Y14.5	NOTES:		BUS BROWN DRIVE				
			DECIMAL	2PLC	3PLC	DRAWN BY.			WOODBINE, IOWA 51579				
			MACHINE SAW, DRILL	.030	.015	DJR			712-647-2050				
			SHEAR, PUNCH FORM	.060	.030	DRAWN/DATE			THE INFORMATION HERE IS CONFIDENTIAL AND MUST NOT BE USED IN ANYWAY DETRIMENTAL TO THE INTEREST OF WOODBINE MFG.				
			TORCH, WELDING ROUGH CAST	.090	.060	12/15/03							
						APPVD/DATE							
A	4/30/08	REPLACED #000508 HHCS W/#000509 HHCS AND ADDED #000575	LSB	LSB		TITLE	1-3/4" & 2" REPLACEMENT CYLINDER CLAMP(1340-1650)						
REV.	DATE	CHANGE RECORD	BY	APPVD	ECN	DRAFT 2'	ANGULAR ±1'	SALES CATEGORY	PRODUCT LINE	SCALE	FIN. WT.	PART NO.	6833