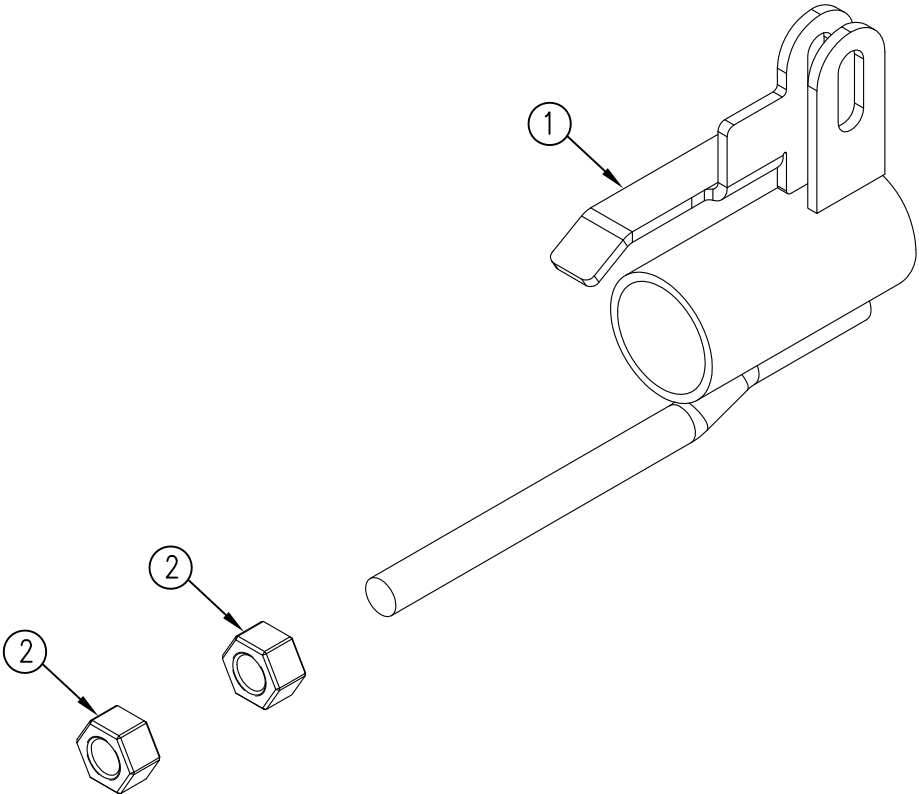


| ITEM NO. | QTY. | PART NO. | DESCRIPTION |
|----------|------|----------|--|
| 1 | 1 | 010760 | PLATED UP STOP PUSH OFF ASSEMBLY(CANTILEVER) |
| 2 | 2 | 000551 | 1/2-13 GRADE 5 HEX NUT (ZINC) |



| | | | | | | | | | | | | |
|------|----------|-----------------------------|-----|-------|-----|---------------------------|------------------------|--|---|-----------|----------|---|
| | | | | | | THIRD ANGLE PROJECTION | FILENAME: | WOODBINE MFG. CO. BUS BROWN DRIVE WOODBINE, IOWA 51579 | | | | |
| | | | | | | | SYMBOLY PER ANSI Y14.5 | NOTES: | | | | |
| | | | | | | DECIMAL | 2PLC | 3PLC | DRAWN BY. JCB | | | <small>THE INFORMATION HERE IS CONFIDENTIAL AND MUST NOT BE USED IN ANYWAY DETRIMENTAL TO THE INTEREST OF WOODBINE MFG.</small> |
| | | | | | | MACHINE SAW, DRILL | .030 | .015 | DRAWN/DATE 7/25/13 | | | |
| A.1 | 10/19/17 | CORRECTED BOM QUANTITY TYPO | JCB | | | SHEAR, PUNCH FORM | .060 | .030 | APPVD/DATE | | | |
| A | 7/25/13 | RELEASED TO PRODUCTION | JCB | | 931 | TORCH, WELDING ROUGH CAST | .090 | .060 | TITLE REPAIR UP STOP PUSH OFF ASSEMBLY (CANTILEVER) | | | |
| REV. | DATE | CHANGE RECORD | BY | APPVD | ECN | DRAFT 2" | ANGULAR ±1" | SALES CATEGORY | PRODUCT LINE | SCALE 1:2 | FIN. WT. | PART NO. 13384 |