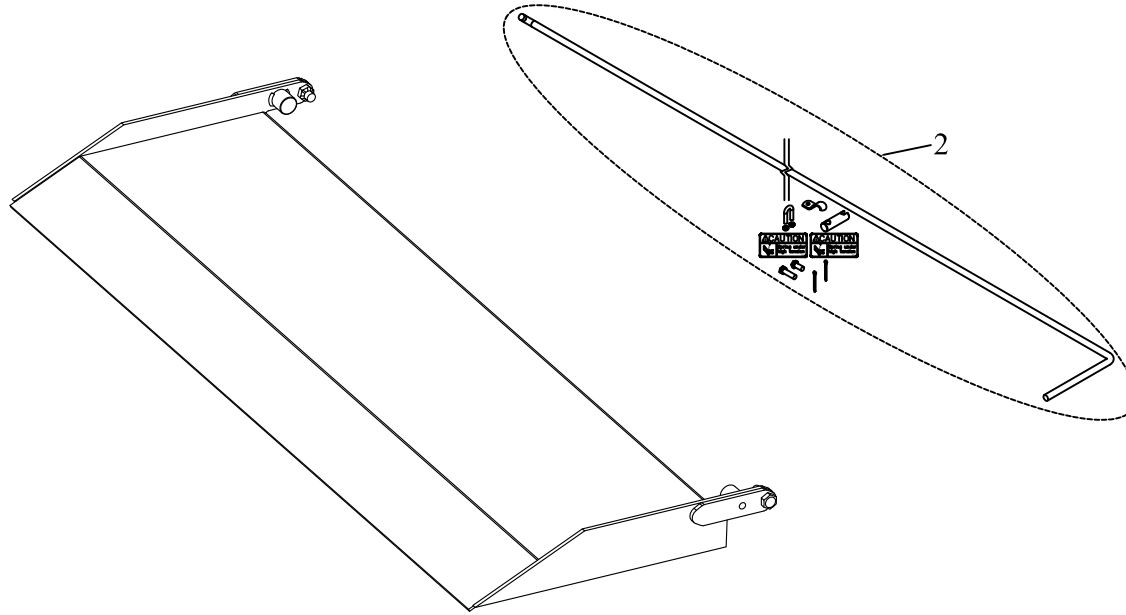


ITEM NO.	QTY.	PART NO.	DESCRIPTION
1	1	1564	G2 54-F11 W/4" TAPER TP FLIPPER
2	1	3689*	TORSION SPRING w/HARDWARE(DAKOTA,ISUZU,&54)



NOTE: "*" INDICATES INDIVIDUAL PARTS ARE LISTED IN ACCOUNTING.

				THIRD ANGLE PROJECTION			FILENAME:		WOODBINE MFG. CO. BUS BROWN DRIVE WOODBINE, IOWA 51579		
							SYMBOLY PER ANSI Y14.5				
				DECIMAL 2PLC 3PLC			DRAWN BY.		NOTES:		
				MACHINE SAW, DRILL .030 .015			DJR				
				SHEAR, PUNCH FORM .060 .030			DRAWN/DATE				
				TORCH, WELDING ROUGH CAST .090 .060			6/23/04				
B	2/22/16	1564 WAS 3528	AAS	1461	APPVD/DATE		TITLE				
CHANGE RECORD				BY	APPVD	ECN	SALES CATEGORY	PRODUCT LINE	SCALE	FIN. WT.	PART NO.
				DRAFT 2"		ANGULAR ±1"		1:10		1679	

THE INFORMATION HERE IS CONFIDENTIAL AND MUST NOT BE USED IN ANYWAY DETRIMENTAL TO THE INTEREST OF WOODBINE MFG.