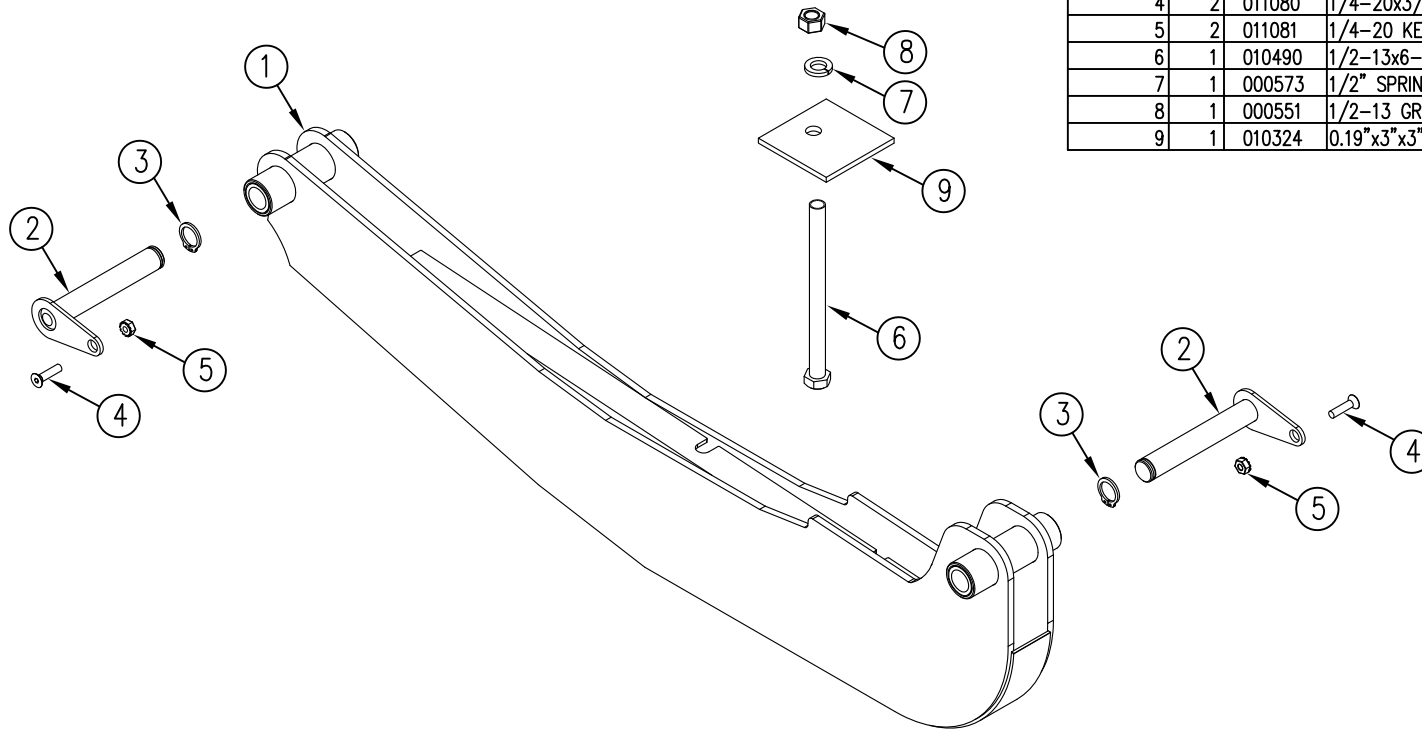


ITEM NO.	QTY.	PART NO.	DESCRIPTION
1	1	013766	CANTILEVER TENSION ARM ASSEMBLY(RIGHT)TRANSIT
2	2	006417	CANTILEVER TENSION ARM PIN W/ KEEPER
3	2	002025	3/4"EXTERNAL SNAP RING, PLATED
4	2	011080	1/4-20x3/4" FLAT HEAD SOC ZINC PLATED
5	2	011081	1/4-20 KEPS NUT ZINC
6	1	010490	1/2-13x6-1/2"HHCS GR5
7	1	000573	1/2" SPRING LOCK WASHER
8	1	000551	1/2-13 GRADE 5 HEX NUT (ZINC)
9	1	010324	0.19"x3"x3" PLATE(CANTILEVER)



REV.	DATE	CHANGE RECORD	BY	APPVD	ECN	THIRD ANGLE PROJECTION	FILENAME:	SYMBOLY PER ANSI Y14.5	NOTES:	WOODBINE MFG. CO. BUS BROWN DRIVE WOODBINE, IOWA 51579																															
B	6/13/19	REMOVED (2) 11084; ADDED (2) 11080	AAS		2266	<table border="1"> <tr> <td>DECIMAL</td> <td>2PLC</td> <td>3PLC</td> </tr> <tr> <td>MACHINE SAW,DRILL</td> <td>.030</td> <td>.015</td> </tr> <tr> <td>SHEAR, PUNCH FORM</td> <td>.060</td> <td>.030</td> </tr> <tr> <td>TORCH, WELDING ROUGH CAST</td> <td>.090</td> <td>.060</td> </tr> <tr> <td>DRAFT 2°</td> <td>ANGULAR ±1°</td> <td></td> </tr> </table>	DECIMAL	2PLC	3PLC	MACHINE SAW,DRILL	.030	.015	SHEAR, PUNCH FORM	.060	.030	TORCH, WELDING ROUGH CAST	.090	.060	DRAFT 2°	ANGULAR ±1°		<table border="1"> <tr> <td>DRAWN BY.</td> <td>JCB</td> </tr> <tr> <td>DRAWN/DATE</td> <td>10/2/14</td> </tr> <tr> <td>APPVD/DATE</td> <td></td> </tr> <tr> <td>TITLE</td> <td>CANTILEVER REPL. TENSION ARM (RIGHT) TRANSIT</td> </tr> <tr> <td>SALES CATEGORY</td> <td>PRODUCT LINE</td> <td>SCALE</td> <td>FIN. WT.</td> <td>PART NO.</td> </tr> <tr> <td></td> <td></td> <td>1:6</td> <td></td> <td>14117</td> </tr> </table>	DRAWN BY.	JCB	DRAWN/DATE	10/2/14	APPVD/DATE		TITLE	CANTILEVER REPL. TENSION ARM (RIGHT) TRANSIT	SALES CATEGORY	PRODUCT LINE	SCALE	FIN. WT.	PART NO.			1:6		14117	<p>THE INFORMATION HERE IS CONFIDENTIAL AND MUST NOT BE USED IN ANYWAY DETRIMENTAL TO THE INTEREST OF WOODBINE MFG.</p> <p>The original TOMMY GATE hydraulic lift</p>
DECIMAL	2PLC	3PLC																																							
MACHINE SAW,DRILL	.030	.015																																							
SHEAR, PUNCH FORM	.060	.030																																							
TORCH, WELDING ROUGH CAST	.090	.060																																							
DRAFT 2°	ANGULAR ±1°																																								
DRAWN BY.	JCB																																								
DRAWN/DATE	10/2/14																																								
APPVD/DATE																																									
TITLE	CANTILEVER REPL. TENSION ARM (RIGHT) TRANSIT																																								
SALES CATEGORY	PRODUCT LINE	SCALE	FIN. WT.	PART NO.																																					
		1:6		14117																																					
A	10/2/14	RELEASED TO PRODUCTION	JCB		1217																																				