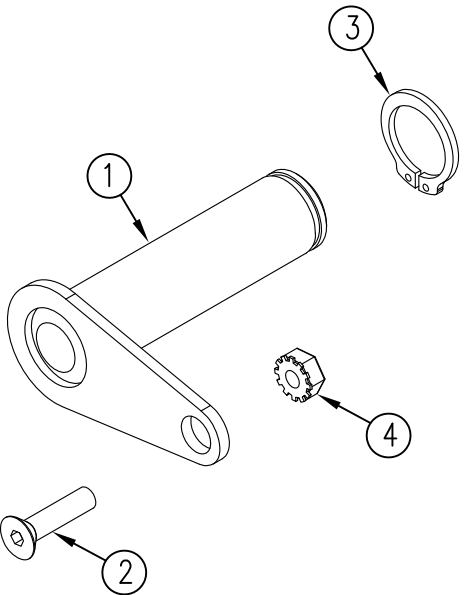


ITEM NO.	QTY.	PART NO.	DESCRIPTION
1	1	003114	CANTILEVER CYLINDER ROD PIN W/ KEEPER
2	1	011084	1/4-20x1" FLAT HEAD SOCKET CAP SCREW ZP
3	1	002026	7/8" EXTERNAL SNAP RING, PLATED
4	1	011081	1/4-20 KEPS NUT ZINC



						THIRD ANGLE PROJECTION	FILENAME:	WOODBINE MFG. CO.
							SYMBOLY PER ANSI Y14.5	BUS BROWN DRIVE
						DECIMAL	DRAWN BY: JCB	NOTES:
						2PLC		
						3PLC		
						MACHINE SAW, DRILL	DRAWN/DATE	712-647-2050
						SHEAR, PUNCH FORM	6/29/11	
						TORCH, WELDING ROUGH CAST	APPVD/DATE	THE INFORMATION HERE IS CONFIDENTIAL AND MUST NOT BE USED IN ANYWAY DETRIMENTAL TO THE INTEREST OF WOODBINE MFG.
A	6/29/11	RELEASED TO PRODUCTION	JCB		450	DRAFT 2'	TITLE	
REV.	DATE	CHANGE RECORD	BY	APPVD	ECN	ANGULAR ±1'	SALES CATEGORY	PRODUCT LINE
							SCALE	FIN. WT.
							1:2	PART NO. 11264