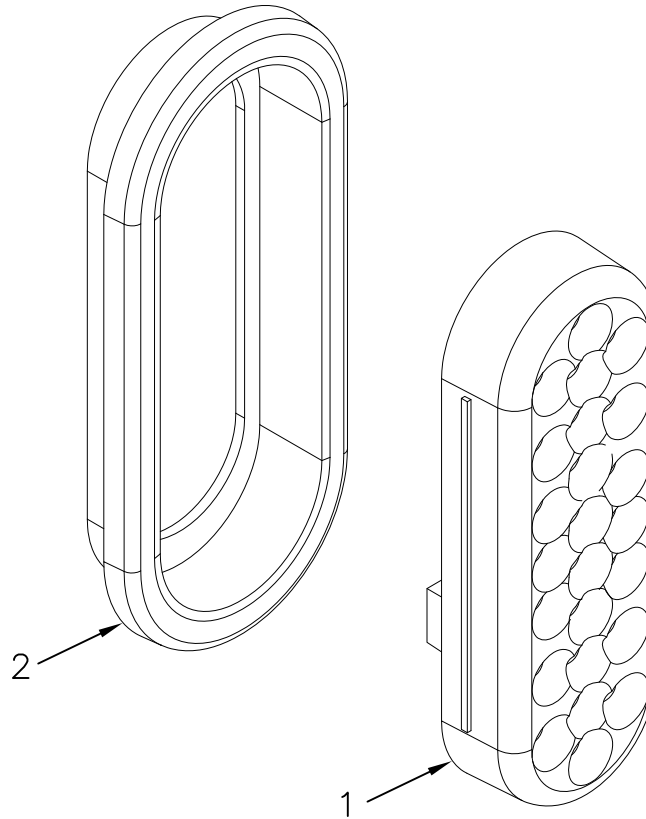


ITEM NO.	QTY.	PART NO.	DESCRIPTION
1	1	004119	RECESSED OVAL CLEAR LIGHT ONLY-LED (12VDC)
2	1	004041	BLACK GROMMET - ECOND 60



			THIRD ANGLE PROJECTION			FILENAME:			WOODBINE MFG. CO. BUS BROWN DRIVE WOODBINE, IOWA 51579																	
						SYMBOLY PER ANSI Y14.5			NOTES:																	
			<table border="1"> <thead> <tr> <th>DECIMAL</th> <th>2PLC</th> <th>3PLC</th> </tr> </thead> <tbody> <tr> <td>MACHINE SAW, DRILL</td> <td>.030</td> <td>.015</td> </tr> <tr> <td>SHEAR, PUNCH FORM</td> <td>.060</td> <td>.030</td> </tr> <tr> <td>TORCH, WELDING ROUGH CAST</td> <td>.090</td> <td>.060</td> </tr> </tbody> </table>			DECIMAL	2PLC	3PLC	MACHINE SAW, DRILL	.030	.015	SHEAR, PUNCH FORM	.060	.030	TORCH, WELDING ROUGH CAST	.090	.060	DRAWN BY. LSB			DRAWN/DATE 6/18/08			712-647-2050		
DECIMAL	2PLC	3PLC																								
MACHINE SAW, DRILL	.030	.015																								
SHEAR, PUNCH FORM	.060	.030																								
TORCH, WELDING ROUGH CAST	.090	.060																								
B 11/9/10			REMOVED 4039			JCB			365																	
A 6/18/08			DRAWN IN AUTOCAD			LSB KGJ																				
REV. DATE			CHANGE RECORD			BY APPVD ECN			THE INFORMATION HERE IS CONFIDENTIAL AND MUST NOT BE USED IN ANYWAY DETRIMENTAL TO THE INTEREST OF WOODBINE MFG.																	
			DRAFT 2°			ANGULAR ±1°			SALES CATEGORY																	
									TITLE REPLACEMENT OVAL CLEAR LED LIGHT W/GROMMET (12VDC)																	
									PRODUCT LINE																	
									SCALE N																	
									FIN. WT. 0.63																	
									PART NO. 889																	