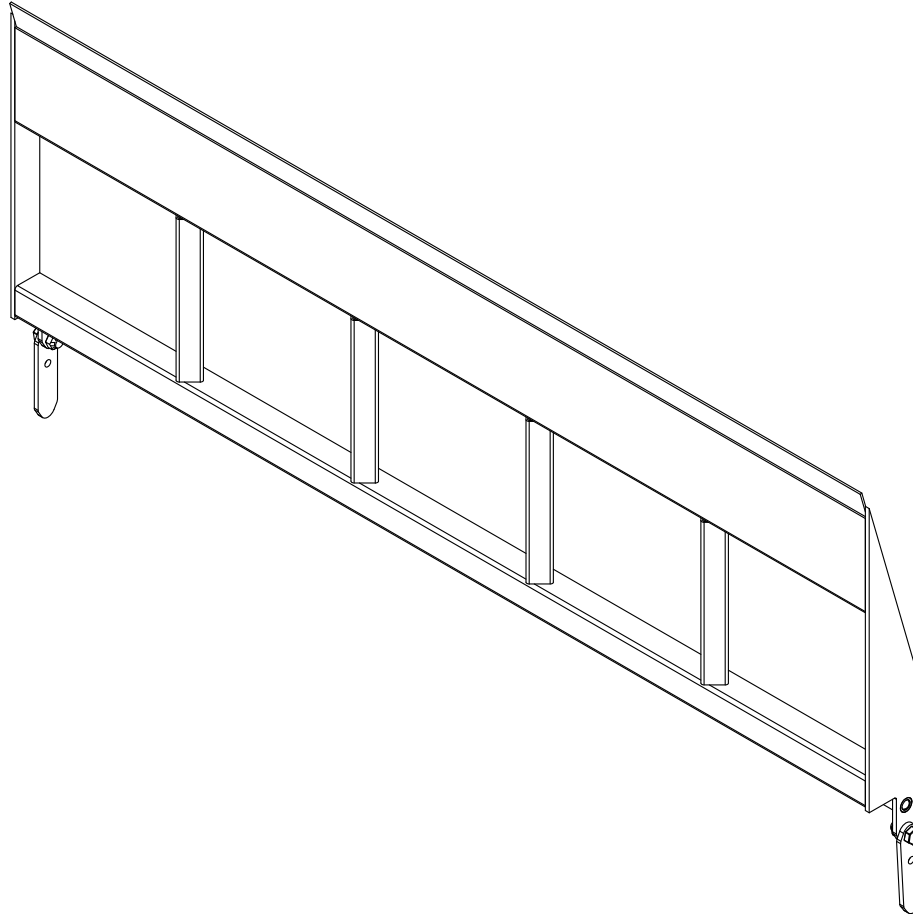
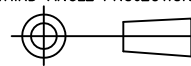



ITEM NO.	QTY.	PART NO.	DESCRIPTION
1	1	1580	G2 60-F11 TP FLIPPER w/7" TAPER



										THIRD ANGLE PROJECTION 	FILENAME:	NOTES:		WOODBINE MFG. CO. BUS BROWN DRIVE WOODBINE, IOWA 51579 712-647-2050 			
									DECIMAL	2PLC	3PLC					SYMBOLY PER ANSI Y14.5	THE INFORMATION HERE IS CONFIDENTIAL AND MUST NOT BE USED IN ANYWAY DETRIMENTAL TO THE INTEREST OF WOODBINE MFG.
								MACHINE SAW, DRILL	.030	.015	DRAWN BY. MTC						
								SHEAR, PUNCH FORM	.060	.030	DRAWN/DATE 02/27/06						
								TORCH, WELDING ROUGH CAST	.090	.060	APPVD/DATE 03/27/06						
A	3/27/06		DRAWN IN AUTOCAD	MTC	KGJ			DRAFT 2°	ANGULAR ±1°	SALES CATEGORY 45	PRODUCT LINE 8950	SCALE N	FIN. WT. 60.2	PART NO. 963			
REV.	DATE		CHANGE RECORD	BY	APPVD	ECN					TITLE G2 60-F11+7 REPLACEMENT TP FLIPPER						