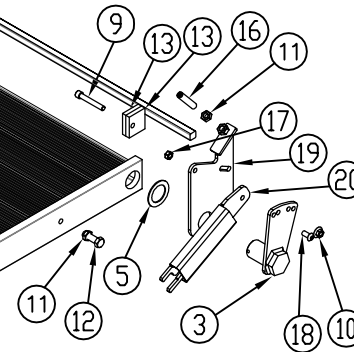


ITEM NO.	QTY.	PART NO.	DESCRIPTION
1	1	012863	89 35+12 ALUM TA PLATFORM COMPLETE(TX)
2	1	005038	5/8"SQ.x90.75" RAIL TORSION SPRING-89
3	1	007019	PLATED 5/8" TORSION SPRING HOLDER- PASSENGER
4	1	013170	PLATED TORSION ARM RAIL (DR) 5/8"SQ
5	3	000582	1-1/2" NARROW RIM MACHINE BUSHING
6	1	004720	1/4"x2" COTTER PIN
7	1	000521	1/2-13x1-1/4" HHCS GR5
8	1	000573	1/2" SPRING LOCK WASHER
9	1	012649	3/8-16x2-1/2" USS SDC HD CAP
10	2	000553	3/8-16 LARGE FLANGE LOCK NUT
11	2	012650	1/2-13 GRADE 5 HEX JAM NUT
12	1	000608	1/2-13x1-1/2" HHCS GR5
13	4	012238	.375"x1.75"x2" ALUM RAIL FLAT STOP(TX)
14	2	009540	CAUTION DECAL - TORSION SPRING
15	1	000516	3/8-16x2" HHCS GR5
16	1	013548	1/2-13x2-1/2" SHSS CONE PT-PLATED
17	1	000597	3/8-16 2 WAY LOCK NUT
18	1	000737	3/8-16x1" BHCS GR5-ZINC PLATED
19	1	012644	PLATED PLATFORM HOLD DOWN BASE PLATE(TX)
20	1	012643	PLATED PLATFORM HOLD DOWN LINK ASSEMBLY(TX)
21	2	004721	1/8"x3/4" COTTER PIN
22	1	095133	(R)REPAIR TX RAILGATE TA SPRING INSTRUCTIONS



REV.	DATE	CHANGE RECORD	BY	APPVD	ECN	DRAFT 2"	ANGULAR ±1"	SALES CATEGORY	PRODUCT LINE	SCALE 1:15	FIN. WT.	PART NO. 013091												
B	3/13/14	737 WAS 12795	GDB		1080																			
A	1/28/14	RELEASED TO PRODUCTION	GDB		1044																			
						THIRD ANGLE PROJECTION		FILENAME:		WOODBINE MFG. CO.														
								SYMBOLY PER ANSI Y14.5		BUS BROWN DRIVE														
						<table border="1"> <tr> <th>DECIMAL</th> <th>2PLC</th> <th>3PLC</th> </tr> <tr> <td>MACHINE SAW, DRILL</td> <td>.030</td> <td>.015</td> </tr> <tr> <td>SHEAR, PUNCH FORM</td> <td>.060</td> <td>.030</td> </tr> <tr> <td>TORCH, WELDING ROUGH CAST</td> <td>.090</td> <td>.060</td> </tr> </table>		DECIMAL	2PLC	3PLC	MACHINE SAW, DRILL	.030	.015	SHEAR, PUNCH FORM	.060	.030	TORCH, WELDING ROUGH CAST	.090	.060	DRAWN BY: GDB		NOTES:		
DECIMAL	2PLC	3PLC																						
MACHINE SAW, DRILL	.030	.015																						
SHEAR, PUNCH FORM	.060	.030																						
TORCH, WELDING ROUGH CAST	.090	.060																						
						DRAWN/DATE: 1/28/14																		
						APPVD/DATE:		DRAWN/DATE: 1/28/14		712-647-2050														
						TITLE: (89) 35+12 TA REP EA PLFRM (TX)		APPVD/DATE:																
						DRAFT 2"		SALES CATEGORY:		THE INFORMATION HERE IS CONFIDENTIAL AND MUST NOT BE USED IN ANYWAY DETRIMENTAL TO THE INTEREST OF WOODBINE MFG.														
						ANGULAR ±1"		PRODUCT LINE:		TOMMY GATE hydraulic lift														
								SCALE 1:15		FIN. WT. PART NO. 013091														