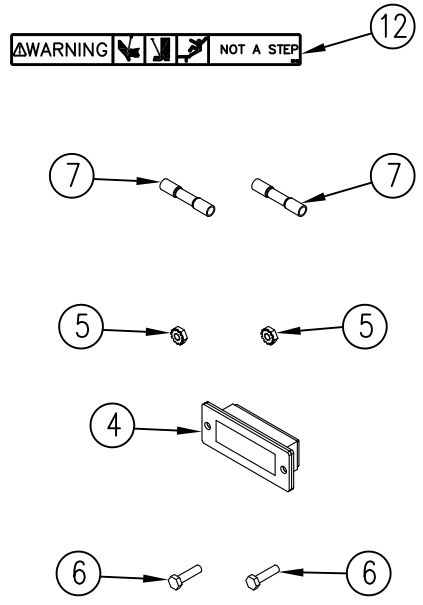
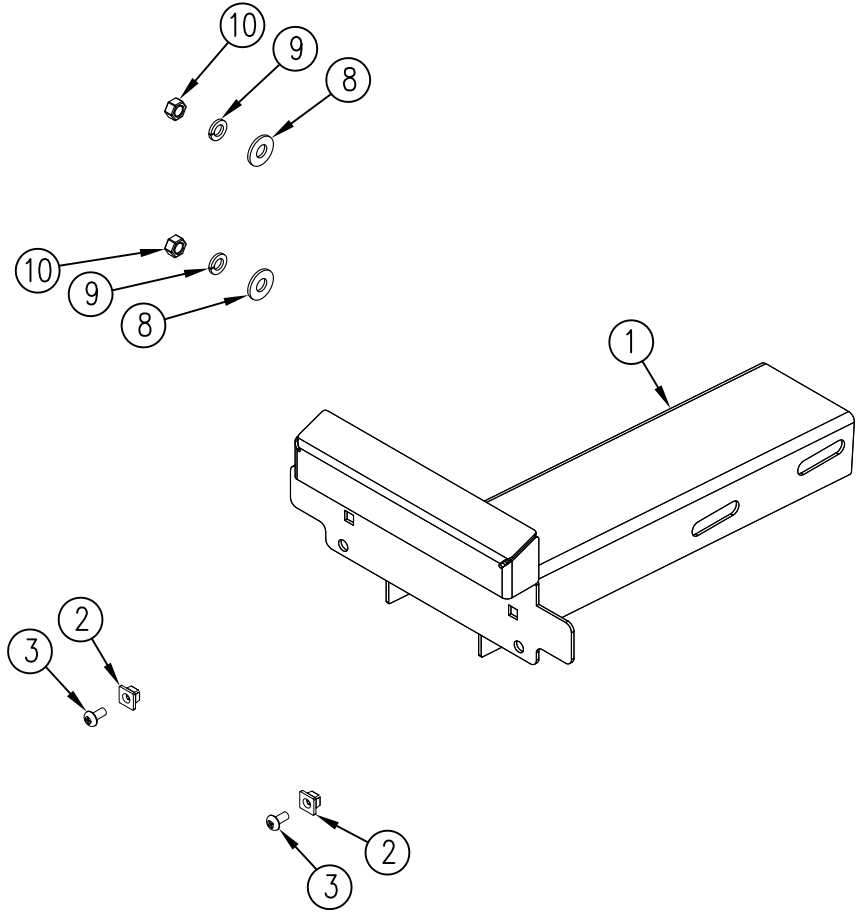


ITEM NO.	QTY.	PART NO.	DESCRIPTION
1	1	014109	LICENSE PLATE ASSEMBLY (SPRINTER SIDE PLATE MOUNT)
2	2	000628	PLASTIC INSERT NUT FOR LICENSE MOUNT
3	2	000620	1/4-20x1/2" PN HD TY FS(G2)
4	1	003050	LICENSE PLATE LIGHT (H1)
5	2	000556	10-32 HEX KEPS NUT
6	2	001485	10-32 X 3/4" HEX HEAD BOLT
7	2	009089	16-14 HEAT SHRINK BUTT CONNECTOR
8	2	000575	3/8 USS FLAT WASHER
9	2	000572	3/8" SPRING LOCK WASHER
10	2	000550	3/8-16 GR5 HEX NUT
11	2	000509	3/8-16x1"HHCS GR5
12	1	003945	NOT A STEP T-54/64 LIGHT KIT DECAL



WARNING NOT A STEP

				THIRD ANGLE PROJECTION 			FILENAME:		WOODBINE MFG. CO. BUS BROWN DRIVE WOODBINE, IOWA 51579				
				DECIMAL	2PLC	3PLC	SYMBOLY PER ANSI Y14.5	NOTES:					
				MACHINE SAW, DRILL	.030	.015	DRAWN BY: JCB			712-647-2050			
				SHEAR, PUNCH FORM	.060	.030	DRAWN/DATE 10/2/14	THE INFORMATION HERE IS CONFIDENTIAL AND MUST NOT BE USED IN ANYWAY DETRIMENTAL TO THE INTEREST OF WOODBINE MFG.					
A	10/2/14	RELEASED TO PRODUCTION		JCB		1217	APPVD/DATE			TITLE REPL. CANTILEVER LICENSE PLATE BRACKET (SPRINTER) SIDE PLATE MOUNT			
REV.	DATE	CHANGE RECORD		BY	APPVD	ECN	DRAFT 2'	ANGULAR ±1'	SALES CATEGORY	PRODUCT LINE	SCALE 1:6	FIN. WT.	PART NO. 14115