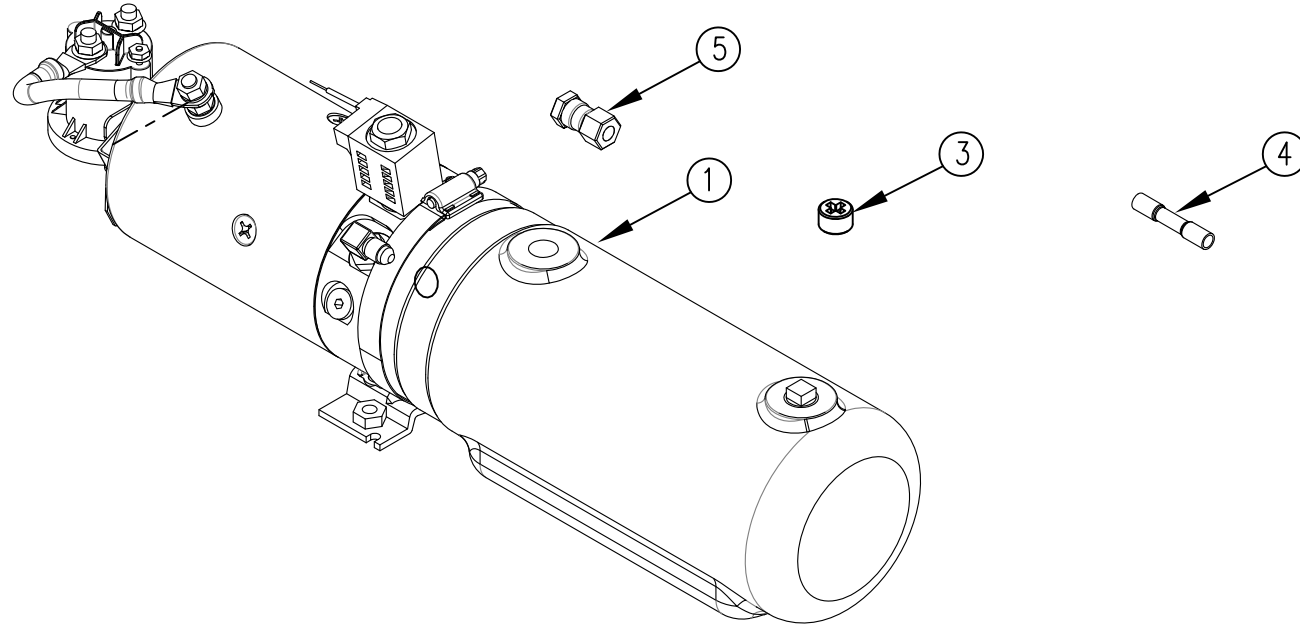


ITEM NO.	QTY.	PART NO.	DESCRIPTION
1	1	004338	MONARCH UNIT 319-0315 3QT(3000)1600
2	0.625 GAL	009034	HYDRAULIC OIL
3	1	004403*	VENT PLUG
4	1	009089	16-14 HEAT SHRINK BUTT CONNECTOR
5	1	012967	#4 FJIC TO #4 FEMALE NPT ADAPTOR (6506-4-4)
6	1	095048	REPLACEMENT POWER UNIT INSTALLATION INSTR.

* ACCOUNTING DO NOT USE FOR B.O.M.



REV.	DATE	CHANGE RECORD	BY	APPVD	ECN	THIRD ANGLE PROJECTION	FILENAME:	SYMBOLY PER ANSI Y14.5	NOTES:	WOODBINE MFG. CO. BUS BROWN DRIVE WOODBINE, IOWA 51579 712-647-2050																																
C	11/14/13	ADDED (1) 012967	GDB		1004	<table border="1"> <tr> <td>DECIMAL</td> <td>2PLC</td> <td>3PLC</td> </tr> <tr> <td>MACHINE SAW, DRILL</td> <td>.030</td> <td>.015</td> </tr> <tr> <td>SHEAR, PUNCH FORM</td> <td>.060</td> <td>.030</td> </tr> <tr> <td>TORCH, WELDING ROUGH CAST</td> <td>.090</td> <td>.060</td> </tr> <tr> <td>DRAFT 2°</td> <td>ANGULAR ±1°</td> <td></td> </tr> </table>	DECIMAL	2PLC	3PLC	MACHINE SAW, DRILL	.030	.015	SHEAR, PUNCH FORM	.060	.030	TORCH, WELDING ROUGH CAST	.090	.060	DRAFT 2°	ANGULAR ±1°		<table border="1"> <tr> <td>DRAWN BY.</td> <td>DJR</td> </tr> <tr> <td>DRAWN/DATE</td> <td>7/01/04</td> </tr> <tr> <td>APPVD/DATE</td> <td></td> </tr> </table>	DRAWN BY.	DJR	DRAWN/DATE	7/01/04	APPVD/DATE			<table border="1"> <tr> <td>TITLE</td> <td>M319 REPLACEMENT PUMP&MOTOR(2500PSI)3QT.**1346-1350</td> </tr> <tr> <td>SALES CATEGORY</td> <td>PRODUCT LINE</td> <td>SCALE</td> <td>FIN. WT.</td> <td>PART NO.</td> </tr> <tr> <td></td> <td></td> <td>1:4</td> <td></td> <td>4365</td> </tr> </table>	TITLE	M319 REPLACEMENT PUMP&MOTOR(2500PSI)3QT.**1346-1350	SALES CATEGORY	PRODUCT LINE	SCALE	FIN. WT.	PART NO.			1:4		4365
DECIMAL	2PLC	3PLC																																								
MACHINE SAW, DRILL	.030	.015																																								
SHEAR, PUNCH FORM	.060	.030																																								
TORCH, WELDING ROUGH CAST	.090	.060																																								
DRAFT 2°	ANGULAR ±1°																																									
DRAWN BY.	DJR																																									
DRAWN/DATE	7/01/04																																									
APPVD/DATE																																										
TITLE	M319 REPLACEMENT PUMP&MOTOR(2500PSI)3QT.**1346-1350																																									
SALES CATEGORY	PRODUCT LINE	SCALE	FIN. WT.	PART NO.																																						
		1:4		4365																																						
B	7/23/10	ADDED (1) 9089 AND (1) 95048	JCB		310					<table border="1"> <tr> <td>THE ORIGINAL TOMMY GATE hydraulic lift</td> </tr> </table>	THE ORIGINAL TOMMY GATE hydraulic lift																															
THE ORIGINAL TOMMY GATE hydraulic lift																																										
<p>THE INFORMATION HERE IS CONFIDENTIAL AND MUST NOT BE USED IN ANYWAY DETRIMENTAL TO THE INTEREST OF WOODBINE MFG.</p>																																										