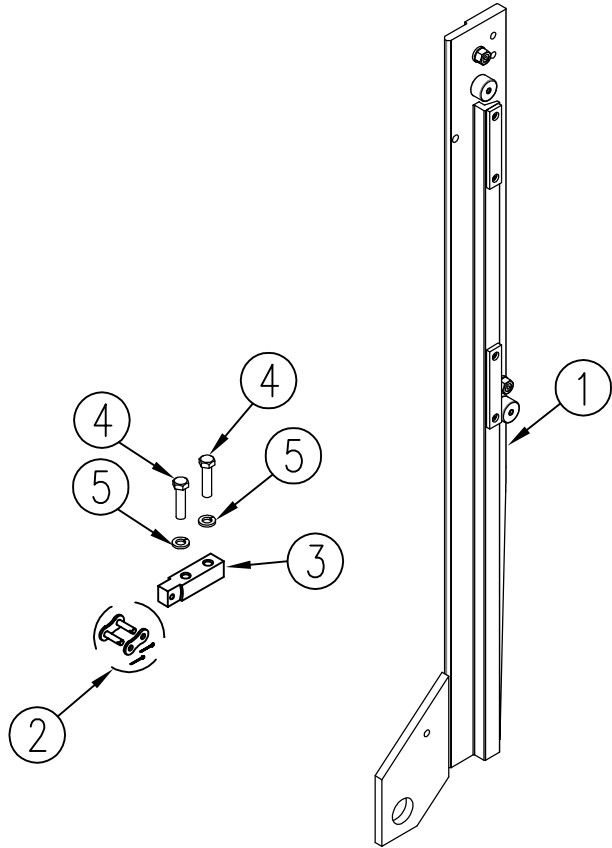


ITEM NO.	QTY.	PART NO.	DESCRIPTION
1	1	011876	47" COMPLETE RAIL SLIDER R (AB)TX
2	1	007661	50 SERIES CONNECTING LINK
3	1	007656	3/4"SQ.x3.03" CHAIN HOLDER
4	2	000535	3/8-16x1-1/2" HHCS GR5
5	2	000572	3/8" SPRING LOCK WASHER



						THIRD ANGLE PROJECTION	FILENAME:	WOODBINE MFG. CO. BUS BROWN DRIVE WOODBINE, IOWA 51579				
							SYMBOLY PER ANSI Y14.5	NOTES:				
						DECIMAL MACHINE SAW, DRILL	2PLC .030	3PLC .015	712-647-2050			
						SHEAR, PUNCH FORM	.060	.030				
						TORCH, WELDING ROUGH CAST	.090	.060	THE INFORMATION HERE IS CONFIDENTIAL AND MUST NOT BE USED IN ANYWAY DETRIMENTAL TO THE INTEREST OF WOODBINE MFG.			
A	2/19/14	RELEASED TO PRODUCTION	GDB	1044		DRAFT 2°	ANGULAR ±1°	SALES CATEGORY	PRODUCT LINE	SCALE N	FIN. WT.	PART NO. 013110
REV.	DATE	CHANGE RECORD	BY	APPVD	ECN							
												47" REPLACEMENT SLIDER w/ROLLERS--RIGHT(TX)