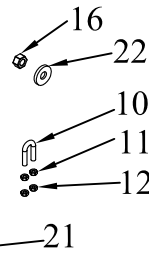



ITEM NO.	QTY.	PART NO.	DESCRIPTION
1	1	002080	LND PLATFORM COMPLETE(91)
2	2	006043	LND INSERT LATCH SPRING-2.50' LENGTH
3	4	000990	1/4-20 LINKAGE SHOULDER BOLT(LND)
4	1	006974	INSERT LINK SHORT COMPLETE(LND)
5	1	000991	5/16-18 INSERT LATCH PIVOT BOLT-LND
6	1	006831	INSERT HANDLE COMPLETE
7	1	006975	INSERT LINK LONG COMPLETE(91LND)
8	2	006059	12GA.x2.63'x5'ACCESS COVER(LND)
9	8	000620	1/4-20x1/2' PN HD TY F S(G2)
10	2	004727	3/8' U-BOLT(SHORT)x16x7/8x1-1/2
11	4	000550	3/8-16 GR5 HEX NUT
12	4	000605	3/8-16 USS CROWN LOCK NUT
13	1	007737	1/2'DIA.x1'COTTERLESS HITCH PIN
14	1	005045	1/2' TORSION SPRING(91)
15	2	000587	1/2-13x1' HHCS GR5
16	3	000588	1/2-13 CROWN LOCK NUT
17	1	007435	PASS SIDE SQ SPRING HOLDER(86-91)
18	1	007433	DRIVERS SIDE SQ. SPRING HOLDER
19	1	000573	1/2' SPRING LOCK WASHER
20	1	002388	INSERT LATCH DEADMAN (LND)
21	2	002371	10GA.x1.13'x1.63'TUBE CAP(BR)
22	2	000576	1/2' USS FLAT WASHER
23	1	004538	LANYARD FOR NEW LND-STAINLESS
24	1	000540	10-32X3/8' PH THRD CUTTER



REV.	DATE	CHANGE RECORD	BY	APPVD	ECN	THIRD ANGLE PROJECTION	FILENAME:	SYMBOLY PER ANSI Y14.5	NOTES:	WOODBINE MFG. CO. BUS BROWN DRIVE WOODBINE, IOWA 51579 712-647-2050	
D	4/30/12	ADDED (1) 4538 & (1) 540	JCB		654	DECIMAL MACHINE SAW, DRILL		DRAWN BY: DJR		<small>THE INFORMATION HERE IS CONFIDENTIAL AND MUST NOT BE USED IN ANYWAY DETRIMENTAL TO THE INTEREST OF WOODBINE MFG.</small> 	
C	10/27/10	REPLACED (2) 567 WITH (2) 576; REMOVED (1) 604; ADDED (1) 587	JCB		359	SHEAR, PUNCH FORM		DRAWN/DATE 12/05/05			
B	12/16/09	REPLACED KITS WITH INDIVIDUAL PARTS; ADDED (1) 2388, (2) 2371, (2) 576, (2) 588	JCB		245	TORCH, WELDING ROUGH CAST		APPVD/DATE	TITLE 91 LND REPLACEMENT PLATFORM		
						DRAFT 2'	ANGULAR ±1'	SALES CATEGORY	PRODUCT LINE N		FIN. WT.