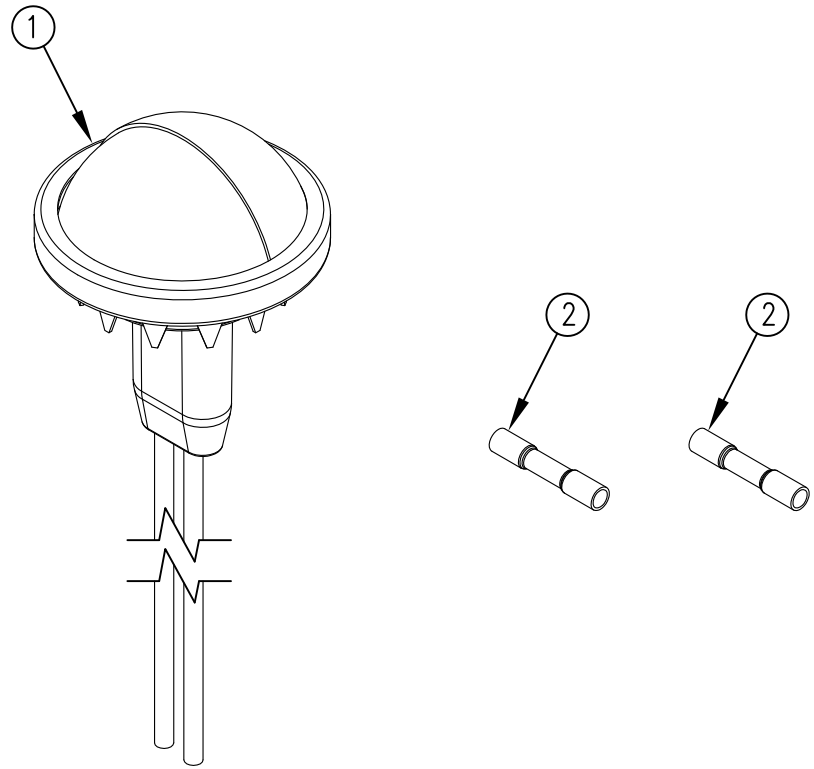


ITEM NO.	QTY.	PART NO.	DESCRIPTION
1	1	004030	LICENSE PLATE LIGHT
2	2	009089	HEAT SHRINK BUTT CONNECTOR



						THIRD ANGLE PROJECTION	FILENAME:	WOODBINE MFG. CO. BUS BROWN DRIVE WOODBINE, IOWA 51579					
							SYMBOLY PER ANSI Y14.5	NOTES:					
						DECIMAL	2PLC	3PLC	DRAWN BY.				
						MACHINE SAW, DRILL	.030	.015	MTC				
B	2/14/14		ADDED (1) 9089	JCB	1060	SHEAR, PUNCH FORM	.060	.030	DRAWN/DATE				
						TORCH, WELDING ROUGH CAST	.090	.060	2/27/06				
A	3/24/06		DRAWN IN AUTOCAD	MTC	KGJ				APPVD/DATE	TITLE			
										REPLACEMENT ORIGINAL SERIES LICENSE PLATE LIGHT			
REV.	DATE		CHANGE RECORD	BY	APPVD	ECN	DRAFT 2'	ANGULAR ±1'	SALES CATEGORY	PRODUCT LINE	SCALE 1:1	FIN. WT.	PART NO. 949



712-647-2050
THE INFORMATION HERE IS CONFIDENTIAL AND MUST NOT BE USED IN ANYWAY DETRIMENTAL TO THE INTEREST OF WOODBINE MFG.