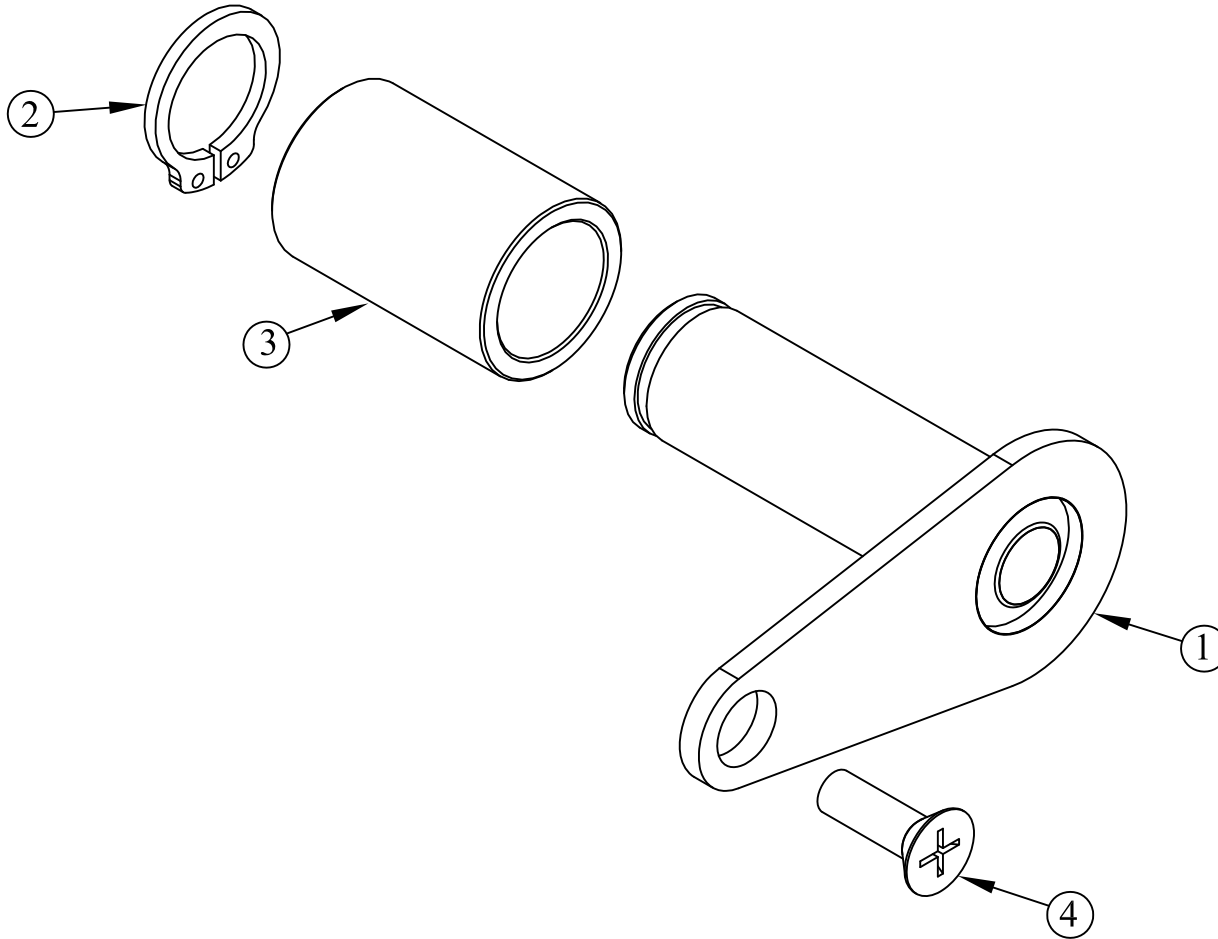



ITEM NO.	QTY.	PART NO.	DESCRIPTION
1	1	002879	.75"DIA.x2.109" PIN w/ FLAT HEAD KEEPER(G2)
2	1	002025	3/4" EXTERNAL SNAP RING(G2) PLATED
3	1	002109	G2 .75"IDx1"ODx1.5" BEARING
4	1	000756	1/4-20x3/4" PHI FH TY F SS (G2)



THIRD ANGLE PROJECTION			FILENAME:			WOODBINE MFG. CO. BUS BROWN DRIVE WOODBINE, IOWA 51579				
SYMBOLY PER ANSI Y14.5			NOTES:							
DECIMAL	2PLC	3PLC	DRAWN BY.			712-647-2050				
MACHINE SAW, DRILL	.030	.015	DJR							
SHEAR, PUNCH FORM	.060	.030	DRAWN/DATE 8/31/05							
TORCH, WELDING ROUGH CAST	.090	.060	APPVD/DATE 12/17/08			THE INFORMATION HERE IS CONFIDENTIAL AND MUST NOT BE USED IN ANYWAY DETRIMENTAL TO THE INTEREST OF WOODBINE MFG.				
A	12/17/08	REMOVED (1) 2051, (1) 620; ADDED (1) 2879, (1) 756	JCB	JCB		TITLE 3/4" REPLACEMENT G2 UPRIGHT FRONT ARM PIN				
REV.	DATE	CHANGE RECORD	BY	APPVD	ECN	SALES CATEGORY 45	PRODUCT LINE 8900	SCALE 1:1	FIN. WT. 0.41	PART NO. 2183