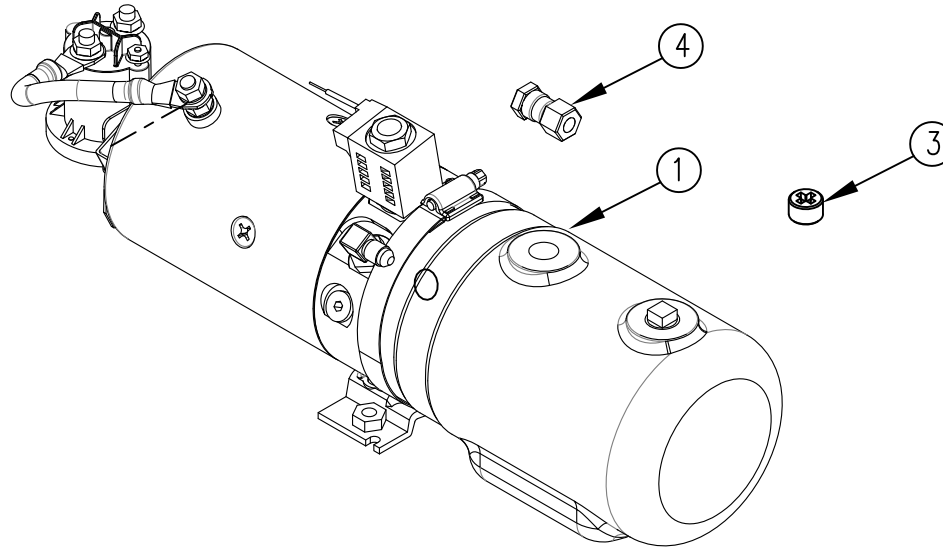


ITEM NO.	QTY.	PART NO.	DESCRIPTION
1	1	004337	MONARCH UNIT 319-0314 1.5QT (3800)1000
2	0.275 GAL	009034	HYDRAULIC OIL
3	1	004403*	VENT PLUG
4	1	012967	#4 FJIC TO #4 FEMALE NPT ADAPTOR (6506-4-4)
5	1	095048	(C)(G)(R)PUMP/MOTOR REPLACEMENT INSTRUCTION

* ACCOUNTING DO NOT USE FOR B.O.M.



				THIRD ANGLE PROJECTION			FILENAME:		WOODBINE MFG. CO.			
							SYMBOLY PER ANSI Y14.5		BUS BROWN DRIVE			
				DECIMAL	2PLC	3PLC	DRAWN BY:		WOODBINE, IOWA 51579			
				MACHINE SAW, DRILL	.030	.015	LSB		712-647-2050			
				SHEAR, PUNCH FORM	.060	.030	DRAWN/DATE		<div style="border: 1px solid black; padding: 2px; display: inline-block;"> <small>The original</small> TOMMY GATE <small>hydraulic lift</small> </div>			
				TORCH, WELDING ROUGH CAST	.090	.060	5/20.09					
B	11/14/13	ADDED (1) 012967, AND (1) 095048	GDB	1004			APPVD/DATE		THE INFORMATION HERE IS CONFIDENTIAL AND MUST NOT BE USED IN ANYWAY DETRIMENTAL TO THE INTEREST OF WOODBINE MFG.			
A	5/20/09	DRAWN IN AUTOCAD	LSB	LSB			TITLE		M319 REPLACEMENT PUMP&MOTOR(2800PSI)1.5QT.**1034, 1036, 1040			
REV.	DATE	CHANGE RECORD	BY	APPVD	ECN	DRAFT 2°	ANGULAR ±1°	SALES CATEGORY	PRODUCT LINE	SCALE 1:4	FIN. WT.	PART NO. 7031