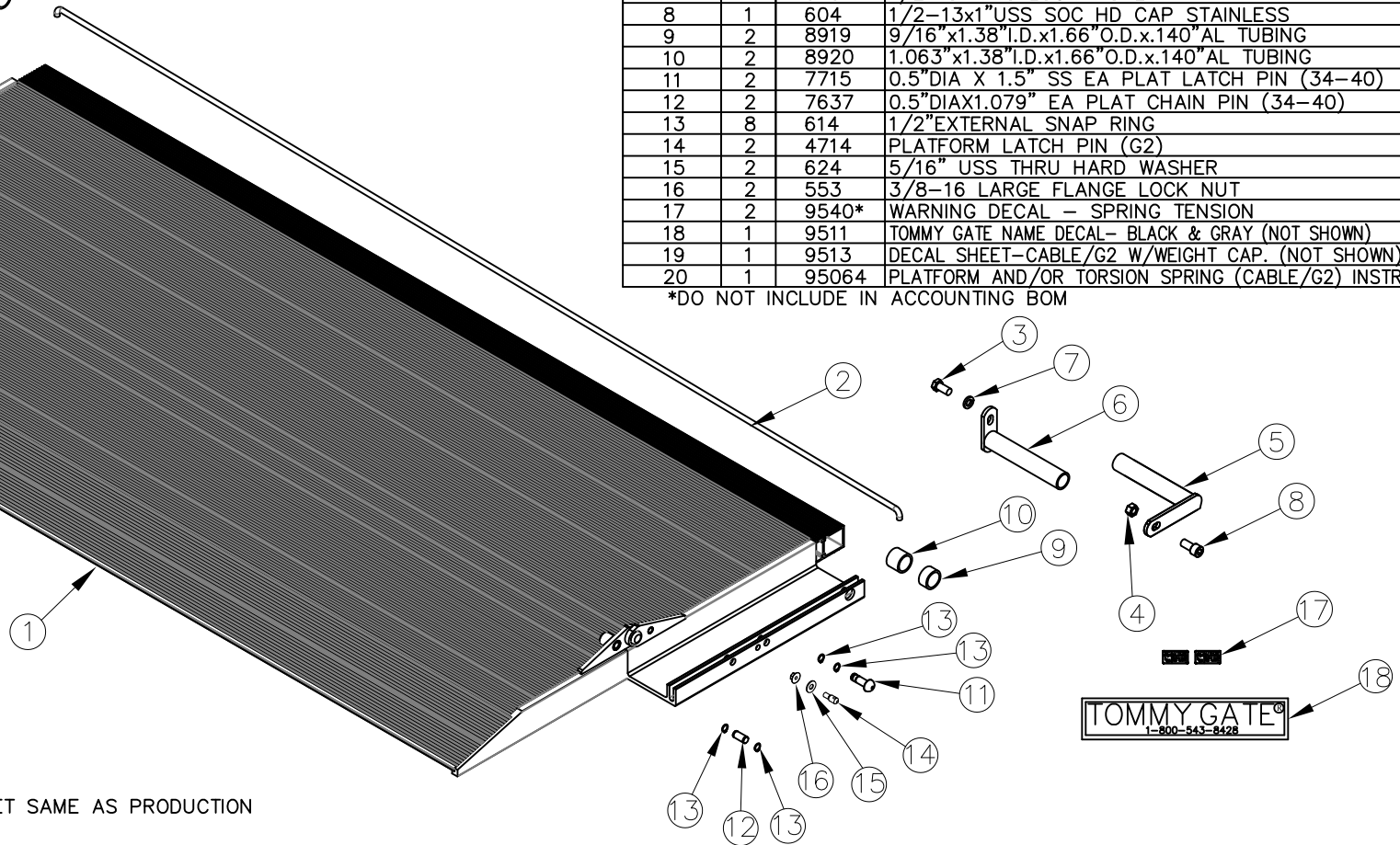


ITEM NO.	QTY.	PART NO.	DESCRIPTION
1	1	3302	EA PLATFORM COMPLETE(80-40)38+6"
2	1	7872	.375"x79.063" TORSION SPRING(EA80)
3	1	587	1/2-13x1" HHCS GR5
4	1	588	1/2-13 CROWN LOCK NUT
5	1	7709	HINGE TUBE SPRING HOLDER-40EA PASSENGER
6	1	7778	HINGE TUBE SPRING HOLDER-EA DRIVER
7	1	573	1/2" SPRING LOCKWASHER
8	1	604	1/2-13x1"USS SOC HD CAP STAINLESS
9	2	8919	9/16"x1.38" I.D.x1.66" O.D.x.140"AL TUBING
10	2	8920	1.063"x1.38" I.D.x1.66" O.D.x.140"AL TUBING
11	2	7715	0.5"DIA X 1.5" SS EA PLAT LATCH PIN (34-40)
12	2	7637	0.5"DIAx1.079" EA PLAT CHAIN PIN (34-40)
13	8	614	1/2"EXTERNAL SNAP RING
14	2	4714	PLATFORM LATCH PIN (G2)
15	2	624	5/16" USS THRU HARD WASHER
16	2	553	3/8-16 LARGE FLANGE LOCK NUT
17	2	9540*	WARNING DECAL - SPRING TENSION
18	1	9511	TOMMY GATE NAME DECAL- BLACK & GRAY (NOT SHOWN)
19	1	9513	DECAL SHEET-CABLE/G2 W/WEIGHT CAP. (NOT SHOWN)
20	1	95064	PLATFORM AND/OR TORSION SPRING (CABLE/G2) INSTR.

\*DO NOT INCLUDE IN ACCOUNTING BOM



NOTES: APPLY DECALS FROM 9513 SHEET SAME AS PRODUCTION  
SEND (2) 9540 LOOSE

				THIRD ANGLE PROJECTION			FILENAME:						
							SYMBOLY PER ANSI Y14.5						
				DECIMAL	2PLC	3PLC	NOTES:						
				MACHINE SAW, DRILL	.030	.015	DRAWN BY: AAS						
				SHEAR, PUNCH FORM	.060	.030	DRAWN/DATE 9/6/24						
				TORCH, WELDING ROUGH CAST	.090	.060	APPVD/DATE						
A	9/6/24		DRAWN IN AUTOCAD	AAS		3051	TITLE 81 G2 LP 38"EA REPLACEMENT PLATFORM						
REV.	DATE		CHANGE RECORD	BY	APPVD	ECN	DRAFT 2'	ANGULAR ±1'	SALES CATEGORY	PRODUCT LINE	SCALE N	FIN. WT.	PART NO. 18327

WOODBINE MFG. CO.  
BUS BROWN DRIVE  
WOODBINE, IOWA 51579



THE INFORMATION HERE IS CONFIDENTIAL AND MUST NOT BE USED IN ANYWAY DETRIMENTAL TO THE INTEREST OF WOODBINE MFG.