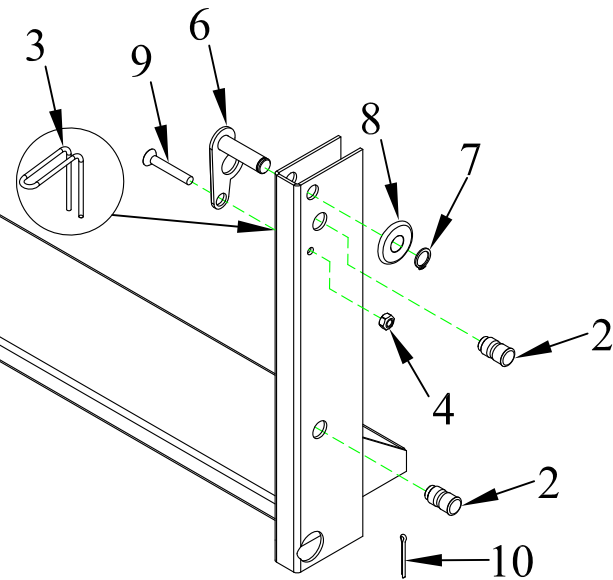


ITEM NO.	QTY.	PART NO.	DESCRIPTION
1	1	003271	DAKOTA SUB ASSEMBLY WELDMENT
2	4	007542	3/4"x1-1/2" ARM PIN
3	2	003820	KICKER SPRING
4	4	000606	5/16-18 USS CROWN LOCK NUT
5	1	010342	DROP PIN ASSEMBLY (LEFT) MINI
6	1	010343	DROP PIN ASSEMBLY (RIGHT) MINI
7	2	000615	5/8" EXTERNAL RETAINING RING-PLATED
8	2	010337	DROP CHAIN MACHINED WASHER
9	2	010467	5/16-18 X 2" FLHD SHCS - ZINC
10	2	004720	1/4"x2" COTTER PIN
11	1	004726	5/16" U-BOLT
12	1	095079	SUB-ASSEMBLY REPLACEMENT- ORIGINAL SERIES (W/ HINGE TUBE)



					THIRD ANGLE PROJECTION			FILENAME:		WOODBINE MFG. CO. BUS BROWN DRIVE WOODBINE, IOWA 51579													
								SYMBOLY PER ANSI Y14.5		NOTES:													
					<table border="1"> <tr> <th>DECIMAL</th> <th>2PLC</th> <th>3PLC</th> </tr> <tr> <td>MACHINE SAW, DRILL</td> <td>.030</td> <td>.015</td> </tr> <tr> <td>SHEAR, PUNCH FORM</td> <td>.060</td> <td>.030</td> </tr> <tr> <td>TORCH, WELDING ROUGH CAST</td> <td>.090</td> <td>.060</td> </tr> </table>			DECIMAL	2PLC			3PLC	MACHINE SAW, DRILL	.030	.015	SHEAR, PUNCH FORM	.060	.030	TORCH, WELDING ROUGH CAST	.090	.060	DRAWN BY. DJR	
DECIMAL	2PLC	3PLC																					
MACHINE SAW, DRILL	.030	.015																					
SHEAR, PUNCH FORM	.060	.030																					
TORCH, WELDING ROUGH CAST	.090	.060																					
C 3/2/11 REPLACED 95059 WITH 95079; REMOVED 7544 JCB 415					DRAWN/DATE 5/27/04		THE INFORMATION HERE IS CONFIDENTIAL AND MUST NOT BE USED IN ANYWAY DETRIMENTAL TO THE INTEREST OF WOODBINE MFG.																
B 2/24/10 REMOVED PN4769 AND 3818; ADDED PN10342, 10343, 615, 10337, 10467, 7544, 3820, AND (2) TWO MORE 606 MTC 270							TITLE DAKOTA REPLACEMENT SUB ASSEMBLY																
REV.	DATE	CHANGE RECORD			BY	APPVD	ECN	DRAFT 2'	ANGULAR ±1'	SCALE N	FIN. WT.	PART NO. 3553											