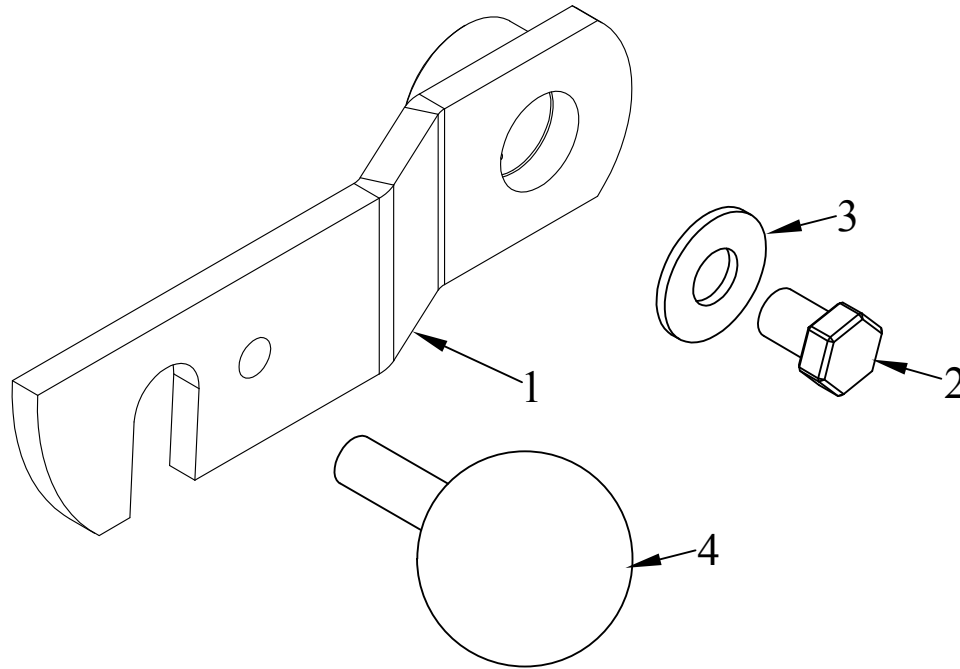


ITEM NO.	QTY.	PART NO.	DESCRIPTION
1	1	013399	COMP CURB POS(BENT) (74)
2	1	000507	3/8-16x1/2"HHCS GR5
3	1	000575	3/8 USS FLAT WASHER
4	1	001127	LATCH KNOB WITH STUD



				THIRD ANGLE PROJECTION			FILENAME:				WOODBINE MFG. CO. BUS BROWN DRIVE WOODBINE, IOWA 51579					
							SYMBOLY PER ANSI Y14.5				NOTES:					
				DECIMAL 2PLC 3PLC			DRAWN BY				712-647-2050					
				MACHINE SAW, DRILL .030 .015			GDB									
				SHEAR, PUNCH FORM .060 .030			DRAWN/DATE				<small>THE INFORMATION HERE IS CONFIDENTIAL AND MUST NOT BE USED IN ANYWAY DETRIMENTAL TO THE INTEREST OF WOODBINE MFG.</small>					
				TORCH, WELDING ROUGH CAST .090 .060			8/4/15				APPVD/DATE					
A	8/4/15	RELEASED TO PRODUCTION			GDB	1457	APPVD/DATE				TITLE PASSENGER'S SIDE LATCH KIT(74)					
REV.	DATE	CHANGE RECORD			BY	APPVD	ECN	DRAFT 2'		ANGULAR ±1'		SALES CATEGORY	PRODUCT LINE	SCALE N	FIN. WT.	PART NO. 14539